



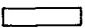
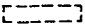
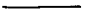
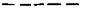
For more Hi-Fi manuals and set-up information
please visit www.hifiengine.com

SCHEMATIC DIAGRAMS

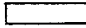
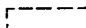
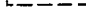
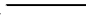
X-2000R

INSTRUCTIONS FOR SERVICE PERSONNEL
BEFORE RETURNING APPLIANCE TO THE CUSTOMER, MAKE LEAKAGE-CURRENT OR RESISTANCE MEASUREMENTS TO DETERMINE THAT EXPOSED PARTS ARE ACCEPTABLY INSULATED FROM THE SUPPLY CIRCUIT.

NOTES

1. Schematic diagram of the amplifier section shown for left channel except for some of the components.
2. All resistors are $\frac{1}{4}$ watt, $\pm 5\%$, unless marked otherwise. Resistor values are in ohms ($k = 1,000$ ohms).
3. All capacitor values are in microfarads ($p = \text{picofarads}$).
4. Δ Parts marked with this sign are safety critical components. They must always be replaced with identical components—refer to the TEAC parts list and ensure exact replacement.
5. Voltage and level values are for reference only.
0dB = 0.775V
Indicated values are those existing when the meter indicates 0VU.
6.  : front panel indication
7.  : rear panel indication
8.  : +B power supply circuit.
9.  : -B power supply circuit.

注

1. アンプ回路はLchのみが示されています。
2. 抵抗の単位は Ω ($k = k\Omega$, $M = M\Omega$)。特に指定のない限り、 $1/4W$ 型、偏差は $\pm 5\%$ 。
3. コンデンサの単位は μF ($p = pF$)。
(BP) : バイポーラ・コンデンサ
(CE) : セラミック・コンデンサ
特に指定のないコンデンサは、偏差 $\pm 5\%$ のマイラ・コンデンサ。
4. 電圧値および信号レベルは参考値です。
0dB = 0.775V
5. Δ マークのある部品は安全重要部品です。交換するときは必ずティアック指定の部品を使用してください。
6.  : フロント・パネル上の表示
7.  : リア・パネル上の表示
8.  : + B 電源回路
9.  : - B 電源回路

TEAC®

TEAC WIRING DIAGRAM X-2000R

1

2

3

4

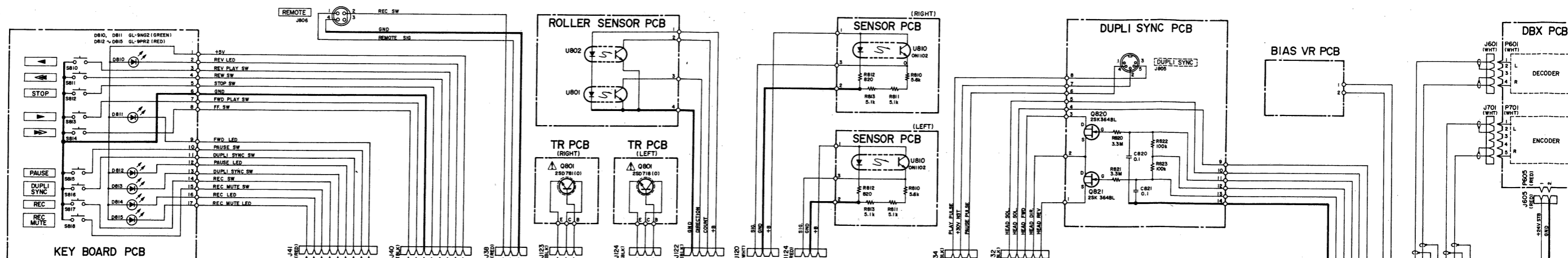
5

6

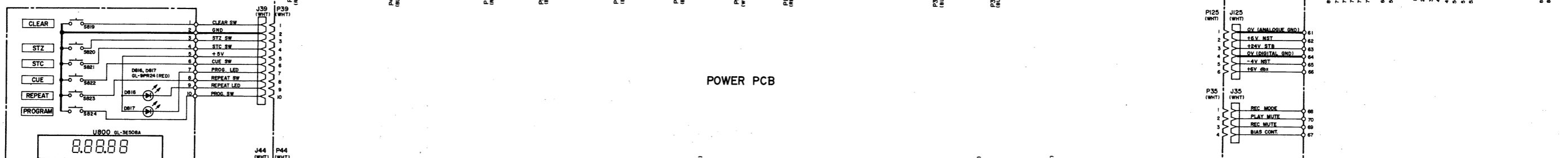
7

8

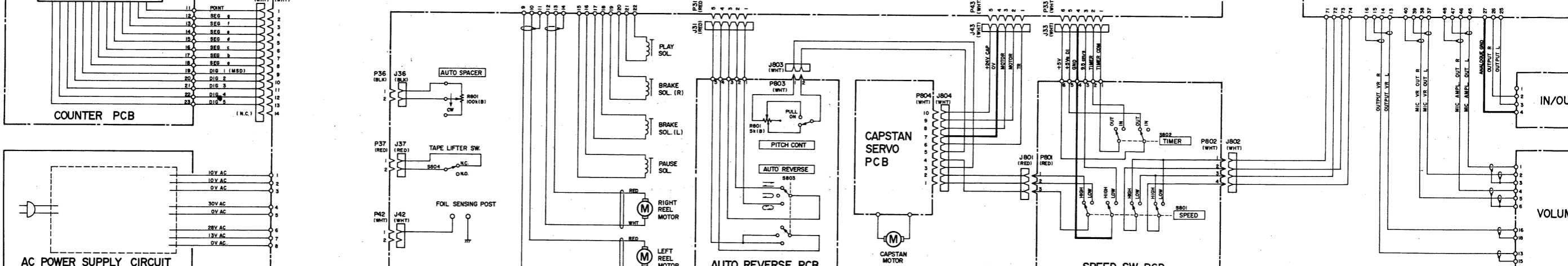
A



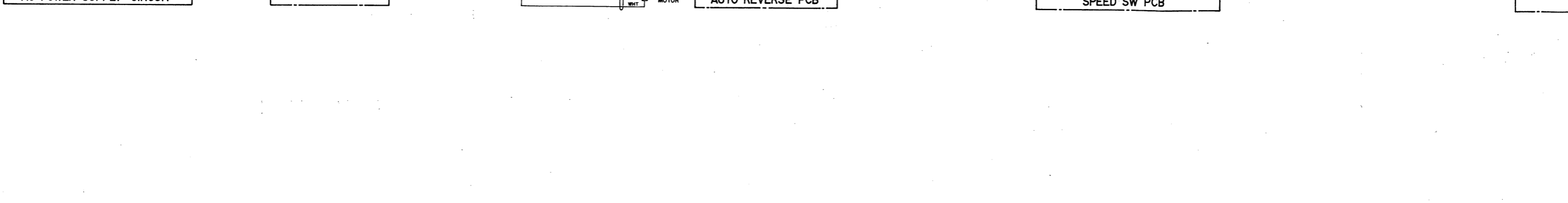
B



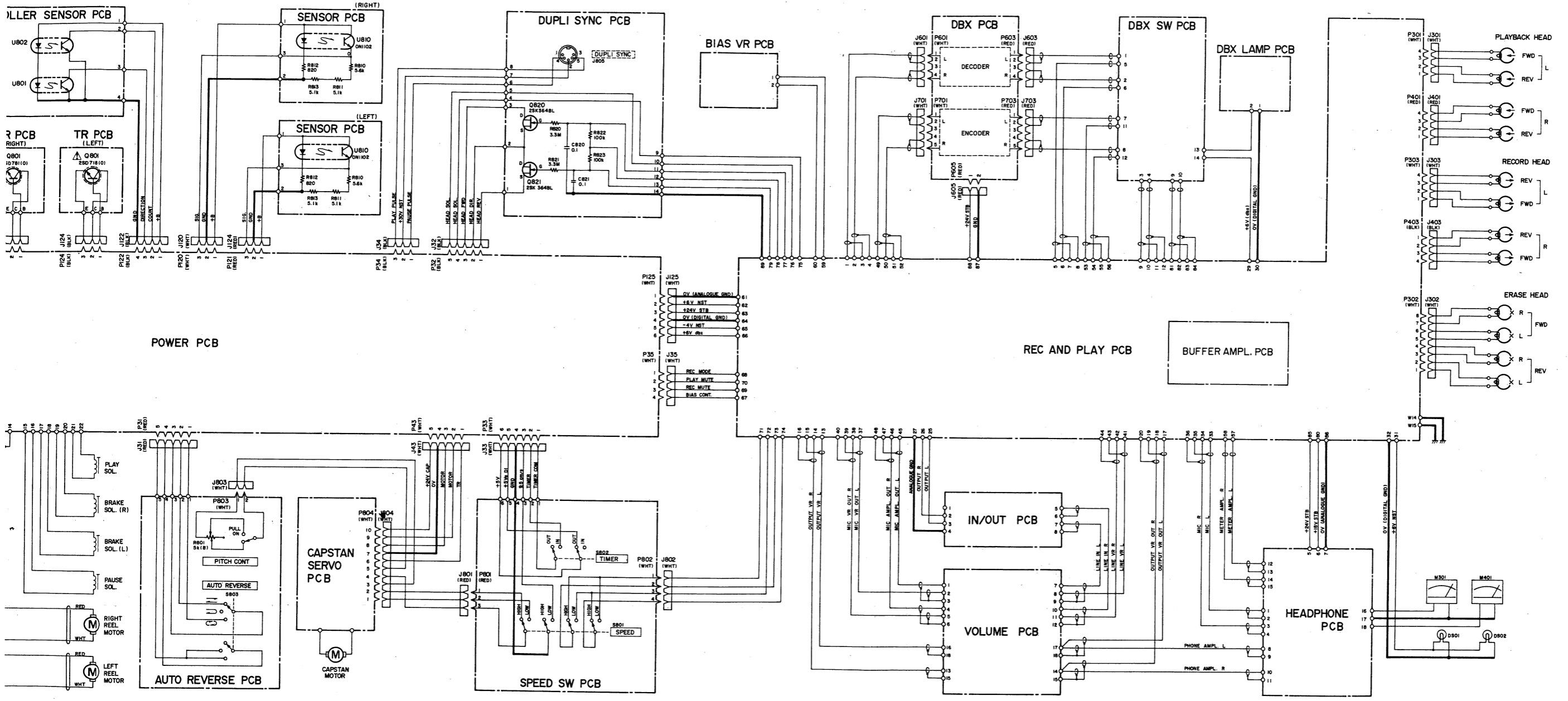
C



D



E

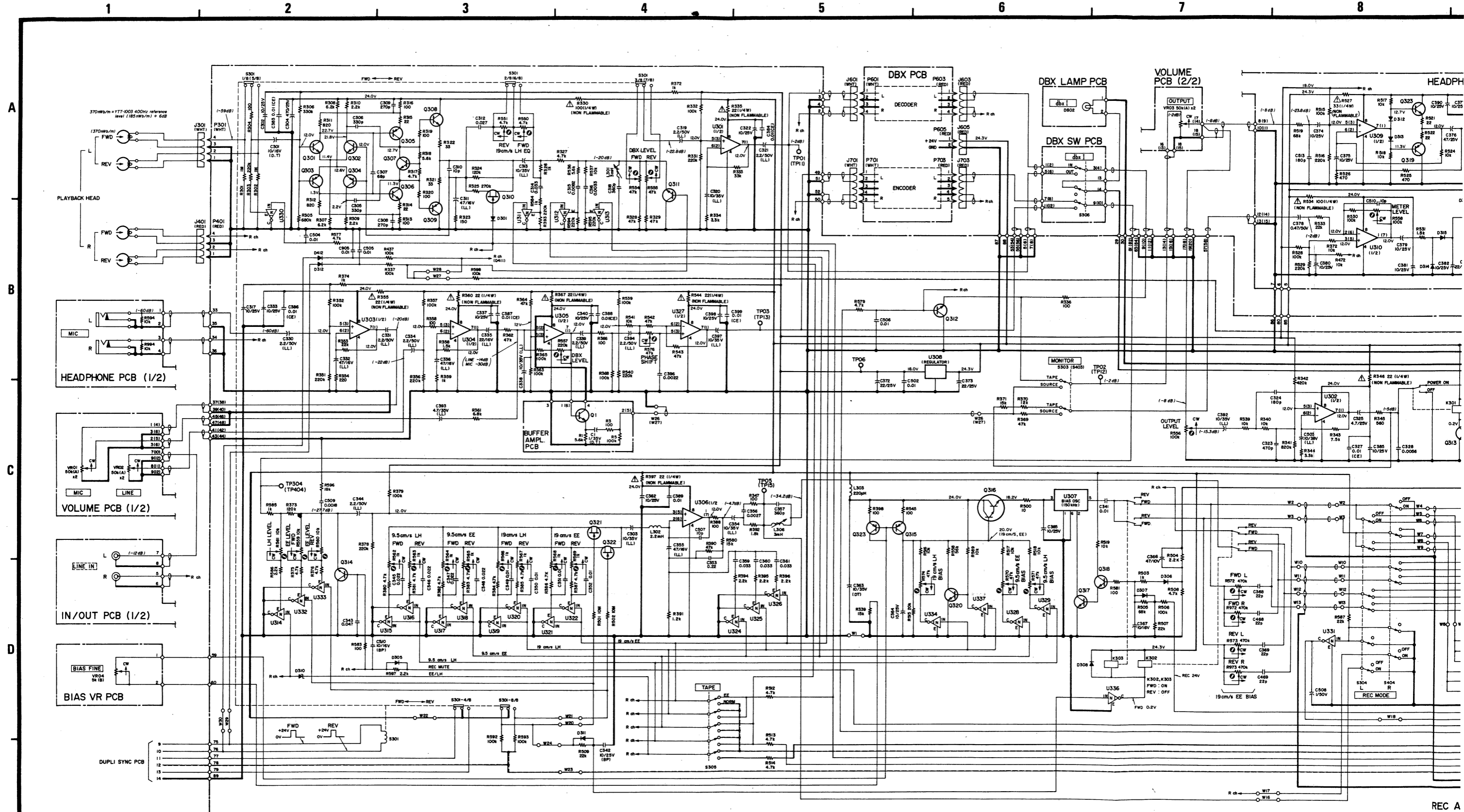


X-2000R

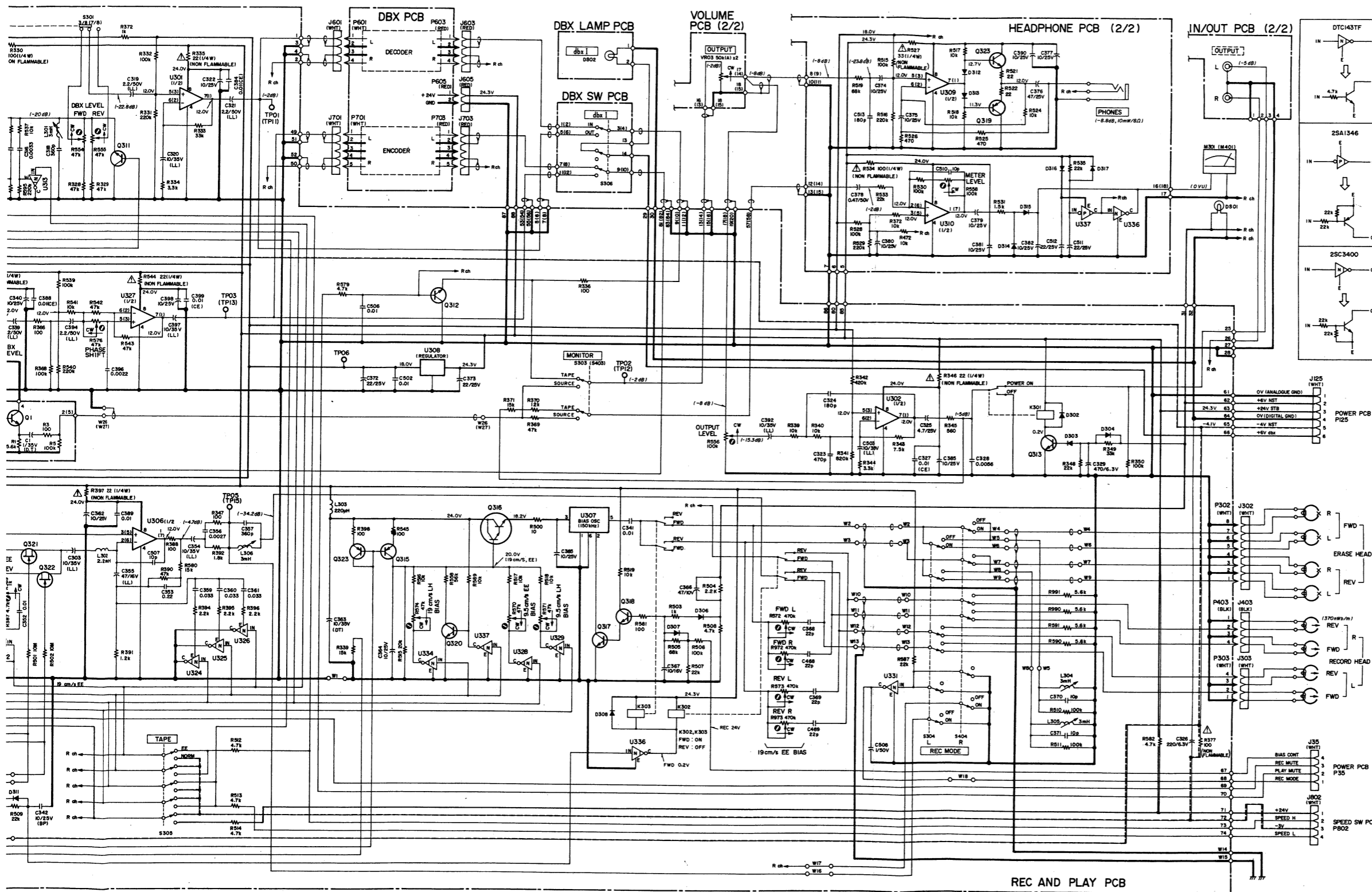
Stereo Tape Deck

2nd Issue; June, 1984

TEAC SCHEMATIC DIAGRAM (REC/PLAY) X-2000R



REC A



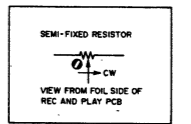
- REC AND PLAY PCB (1 of 2)**
- U301 ~ U306 LM833N
 - U307 BIAS OSC 100MHz
 - U308 NJM78M18A
 - U309, U310 Not used
 - U311 (U411) DTC143TF
 - U312 (U412)
 - U313 (U413)
 - U314 (U414)
 - U315 (U415)
 - U316 (U416)
 - U317 (U417)
 - U318 (U418)
 - U319 (U419)
 - U320 (U420)
 - U321 (U421)
 - U322 (U422)
 - U323 Not used
 - U324 (U424)
 - U325 (U425) DTC143TF
 - U326 (U426) LM833N
 - U327 DTC143TF
 - U328, U329 2SC3400
 - U330 (U430)
 - U331 2SC3400
 - U332 (U432)
 - U333 (U433) DTC143TF
 - U334 Not used
 - U335 2SC3400
 - U336, U337 DTC143TF

- POWER PCB**
- Q301 (Q401) 2SC945L-K
 - Q302 (Q402)
 - Q303 (Q403) 2SA733K
 - Q304 (Q404) 2SA999F
 - Q305 (Q405) 2SC2320F
 - Q306 (Q406)
 - Q307 (Q407)
 - Q308 (Q408)
 - Q309 (Q409) 2SA999F
 - Q310 (Q410) 2SK364BL
 - Q311 (Q411) 2SD655E
 - Q312 (Q412)
 - Q313 2SC2320F
 - Q314 (Q414) 2SD655E
 - Q315 2SA999F
 - Q316 2SD1140
 - Q317, Q318 2SC2320F (Not used)
 - Q319
 - Q320 2SC2320F
 - Q321 (Q421) 2SK364BL
 - Q322 (Q422) 2SA999F
 - Q323

- POWER PCB**
- D301 (D401) IS133 T-77
 - D302 DS135D
 - D303, D304 IS133 T-77
 - D305 IS133 T-77
 - D306, D307 IS133 T-77
 - D308 DS135D
 - D310 RD3.6E82
 - D311 IS133 T-77
 - D312, D412 DS135D

- BUFFER AMPL PCB (1 of 2)**
- Q11 (Q2) 2SC536F

- HEADPHONE PCB (1 of 2)**
- U309, U310 M5218P
 - U336 (U436) 2SC3400
 - U337 2SA1346
 - Q319 (Q419) 2SA937LNR
 - Q323 (Q423) 2SC2021LNR
 - D312 (D412) IS133 T-77
 - D313 (D413)
 - D314 (D414) IK60
 - D315 (D415)
 - D316, D317 IS133 T-77



X-2000

Stereo Tape Deck

2nd Issue; June, 1984

TEAC SCHEMATIC DIAGRAM (POWER) X-2000R

1

2

3

4

5

6

7

8

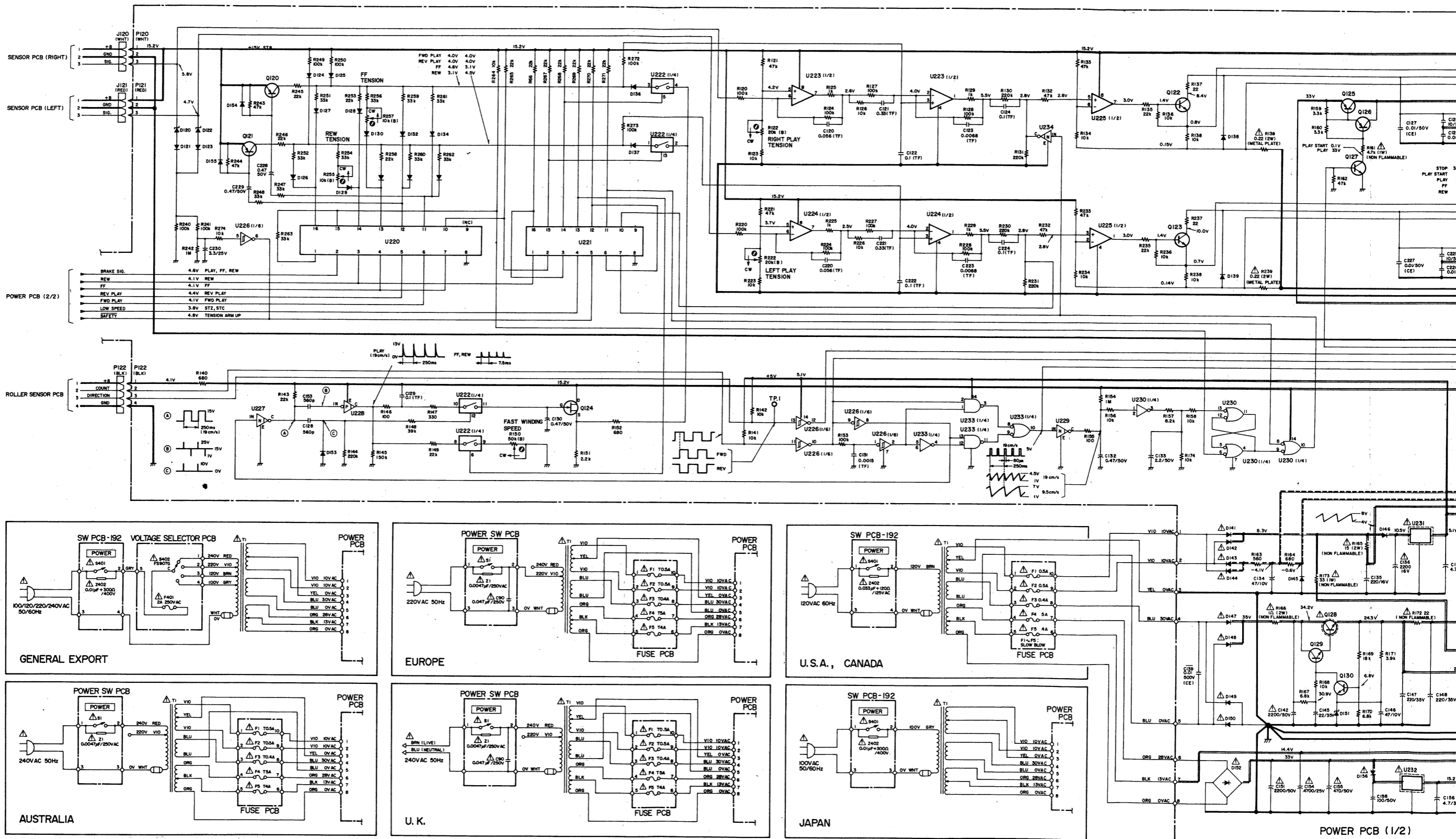
A

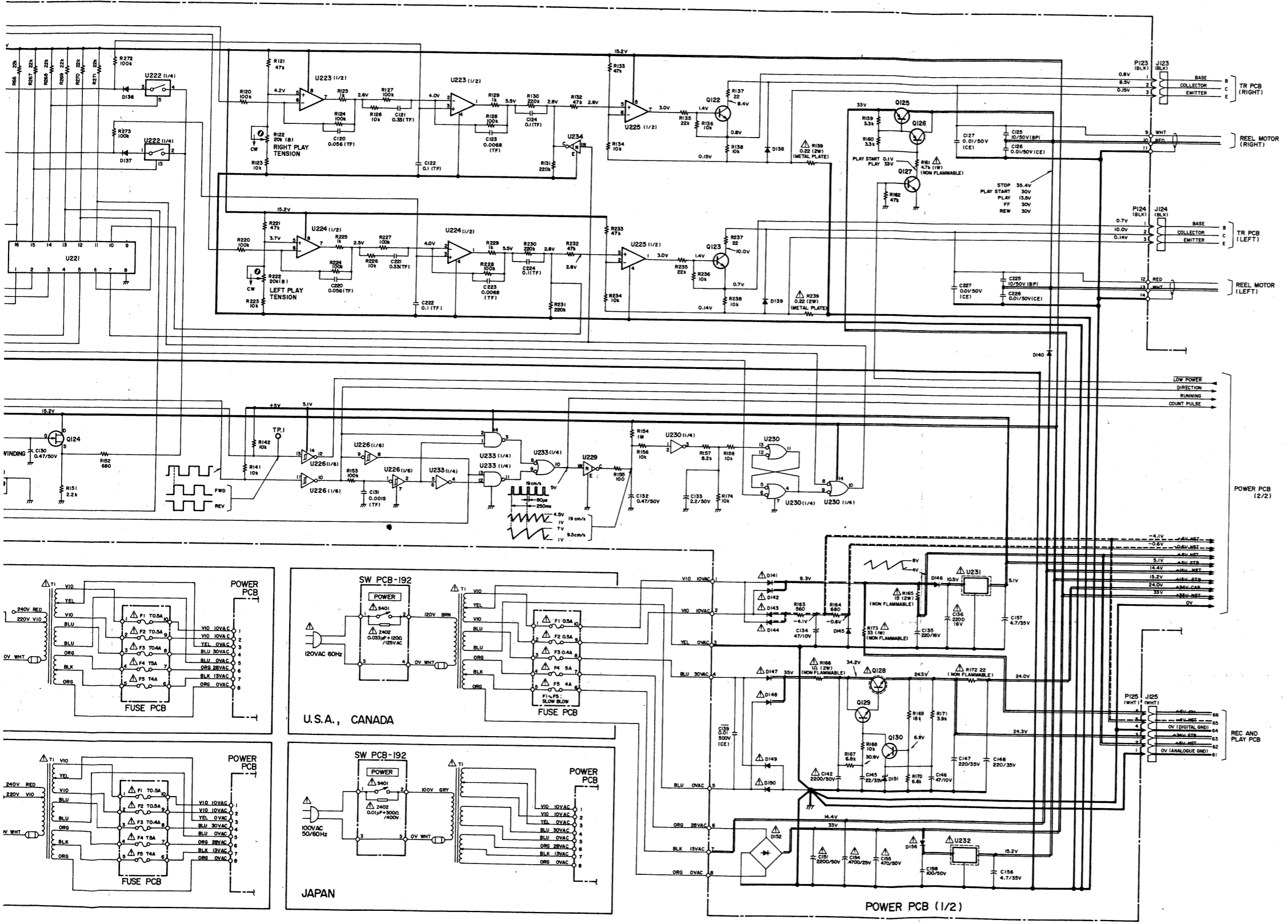
B

C

D

E



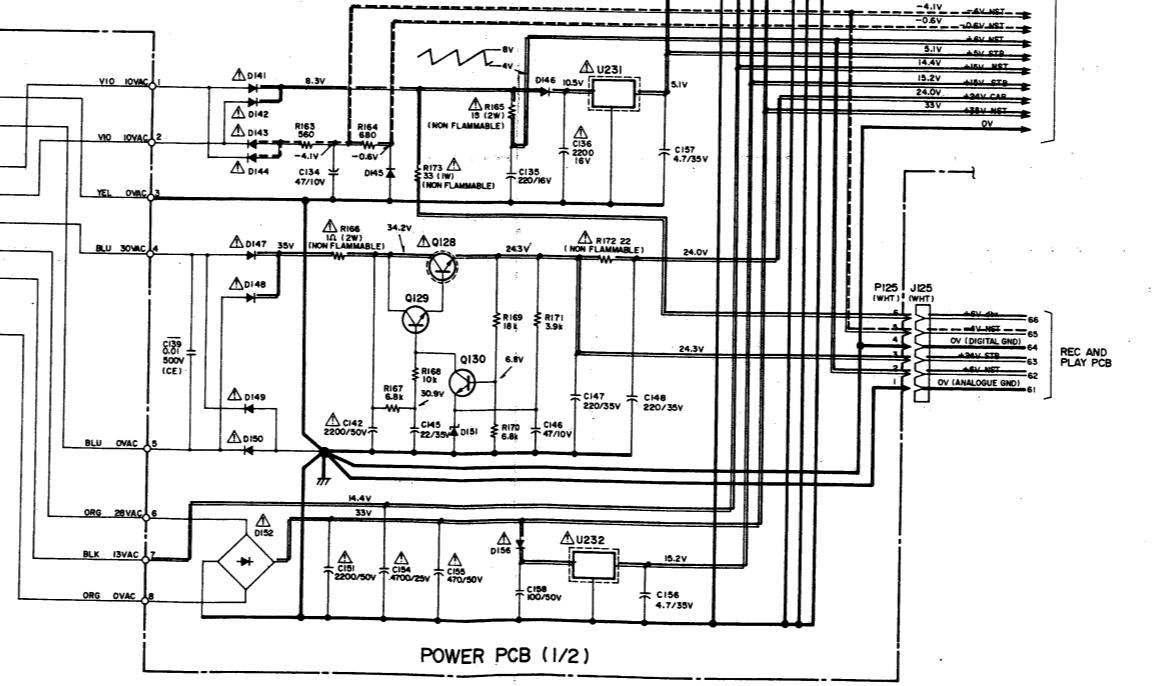
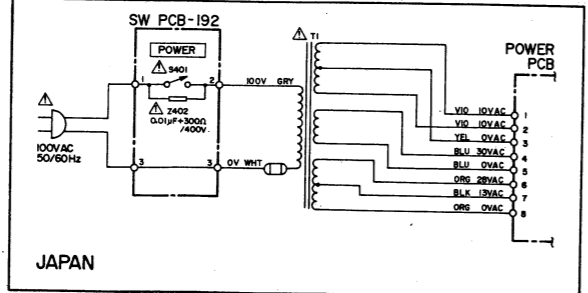
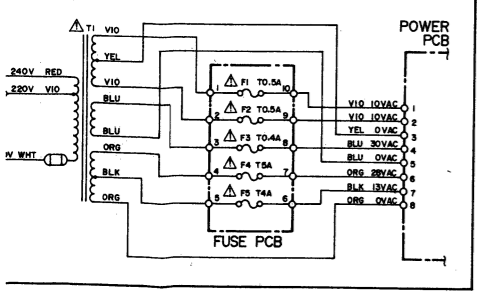
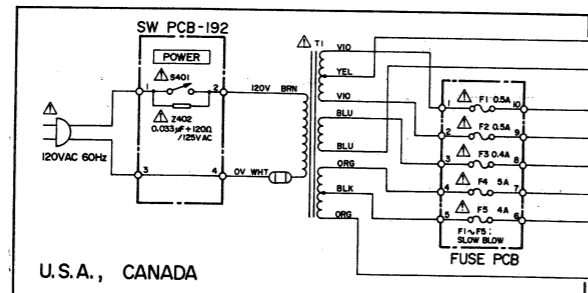
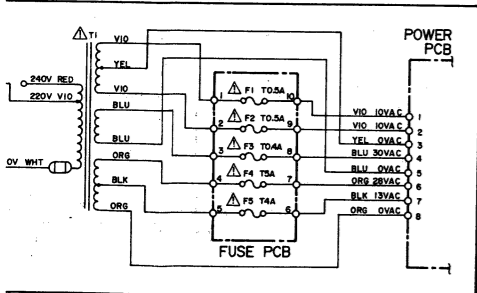
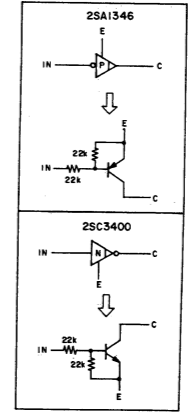


POWER PCB (1/2)

U220, U221	BA6251
U222	MC14066B or HD14066B
U223 ~ U225	LA6358
U226	MC1458BCP or HD14584B
U227	2SC3400
U228	2SA1346
U229	2SC3400
U230	MC14011BCP or HD14011BP
U231	L78N05
U232	L78N15
U233	MC14011BCP or HD14011BP

Q120, Q121	2SA733P
Q122, Q123	2SC2320 (F)
Q124	2SK68 (A)
Q125	2B507 (E)
Q126	2SA1015 (GR)
Q127	2SC945 (K)
Q128	2SD335E
Q129	2SC1318
Q130	2SC945 (K)

D120	RD91EB2
D121	ISS133T
D122	RD91EB2
D123 ~ D137	ISS133T
D138 ~ D144	DS135D
D145	ISS133T
D146 ~ D150	DS135D
D151	RD91EB2
D152	M4C-51
D153	DS135D
D156	DS135D



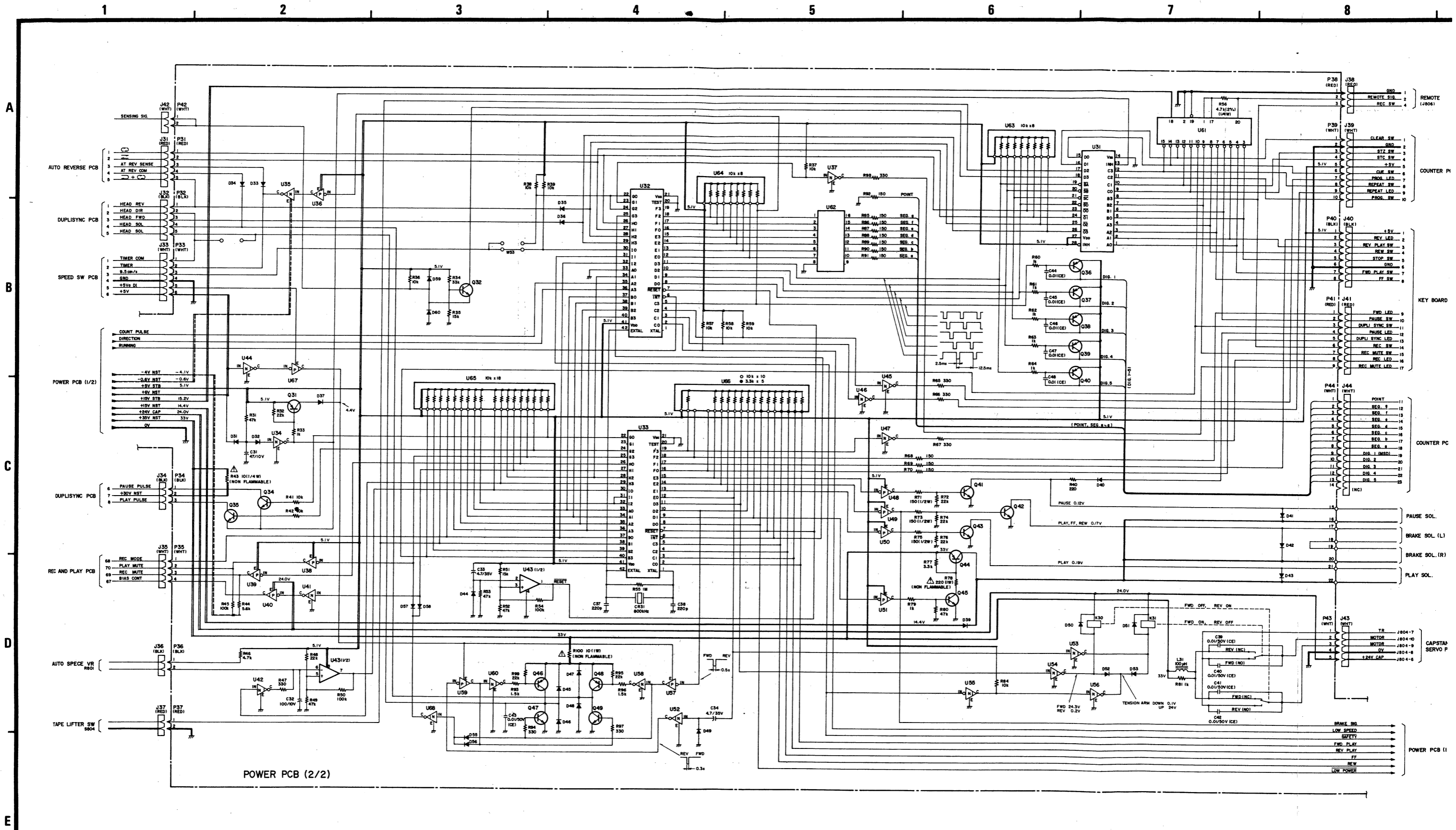
REC AND PLAY PCB

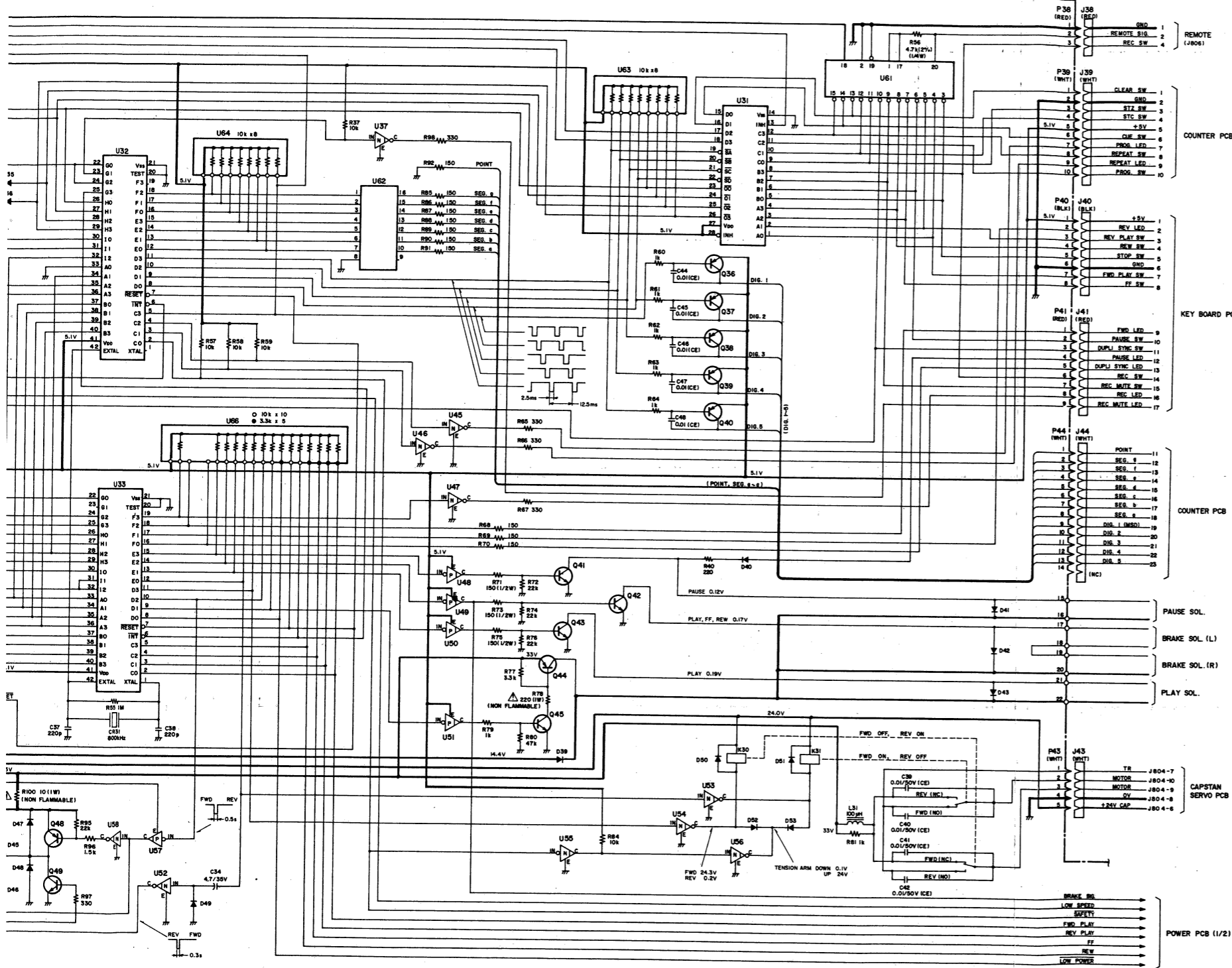
X-2000

Stereo Tape Deck

2nd Issue; June, 1984

TEAC SCHEMATIC DIAGRAM (POWER) X-2000R





POWER PCB (2/2)

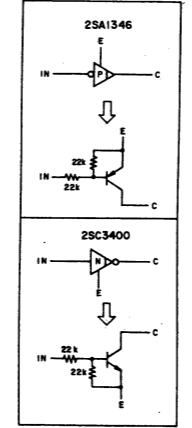
U31	LC7800
U32	LM6402H-325
U33	25C3400
U34, U35	25C3400
U36	25A1346
U37	25C3400
U38 ~ U40	25A1346
U41, U42	25C3400
U43	LA6358
U44 ~ U47	25C3400
U48, U51	25A1346
U52 ~ U56	25C3400
U57	25A1346
U58	25C3400
U59	25A1346
U60	25C3400
U61	LB1475
U62	BA6251
U63 ~ U66	Resistor array
U67	25A1346
U68	25C3400

KEY BOARD PCB

Q31	25A735A-PB
Q32	25C945 (K)
Q33	(Not used)
Q34, Q35	25C945 (K)
Q36 ~ Q40	25A733P-PB
Q41 ~ Q43	25D7940
Q44	25B507 (E)
Q45	25C945 (K)
Q46	25A1020 (Y)
Q47	25C2655 (Y)
Q48	25A1020 (Y)
Q49	25C2655 (Y)

COUNTER PCB

D31 ~ D37	ISS133T
D38	(Not used)
D39	DSA26C
D40	ISS133T
D41 ~ D43	DS1350
D44	ISS133T
D45 ~ D48	DS1350
D49	ISS133T
D50, D51	DS1350
D52, D53	ISS133T
D54	(Not used)
D55 ~ D60	ISS133T

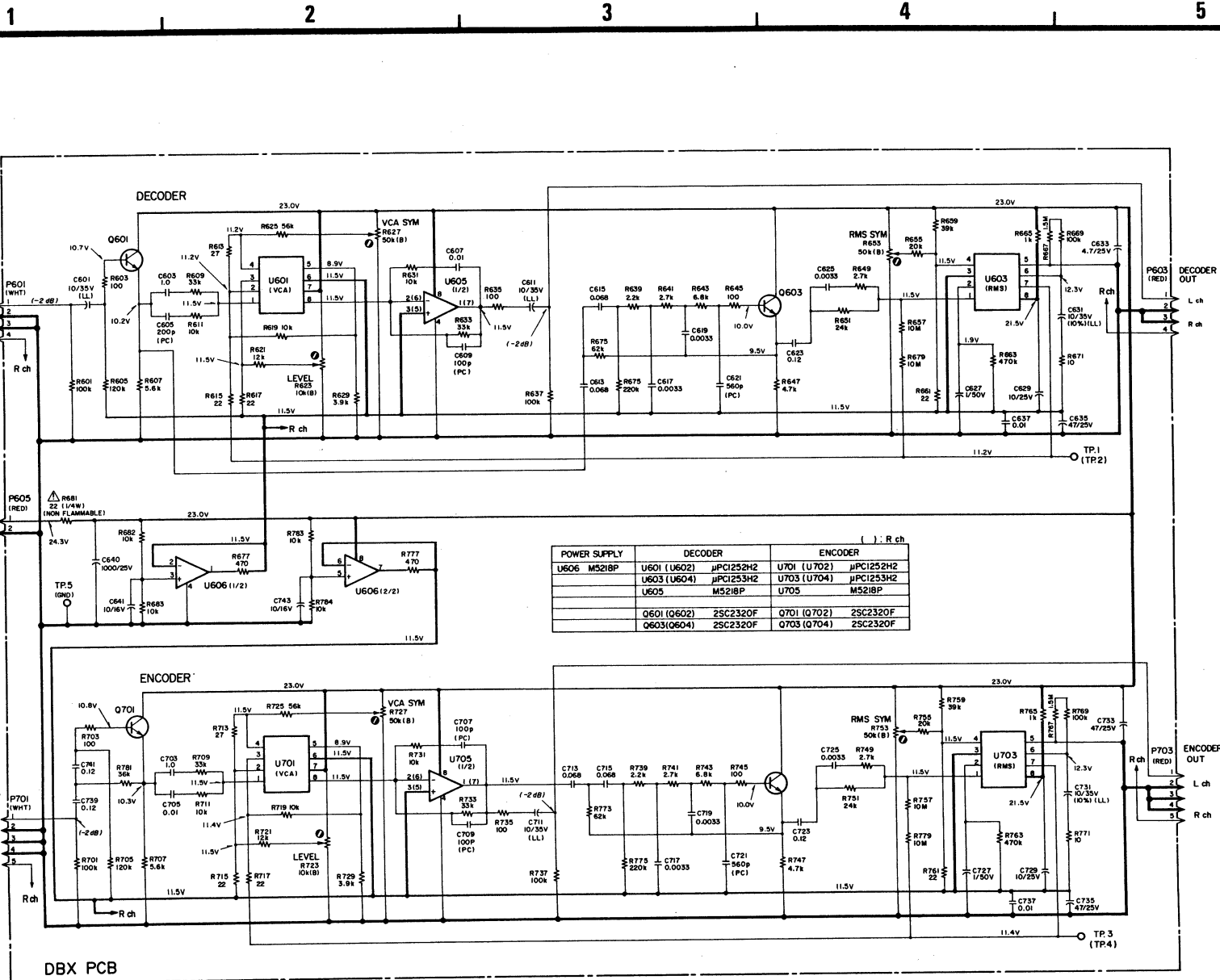


X-2000R

Stereo Tape Deck

2nd Issue; June, 1984

TEAC SCHEMATIC DIAGRAM (DBX) X-2000R



A
B
C
D

DBX PCB