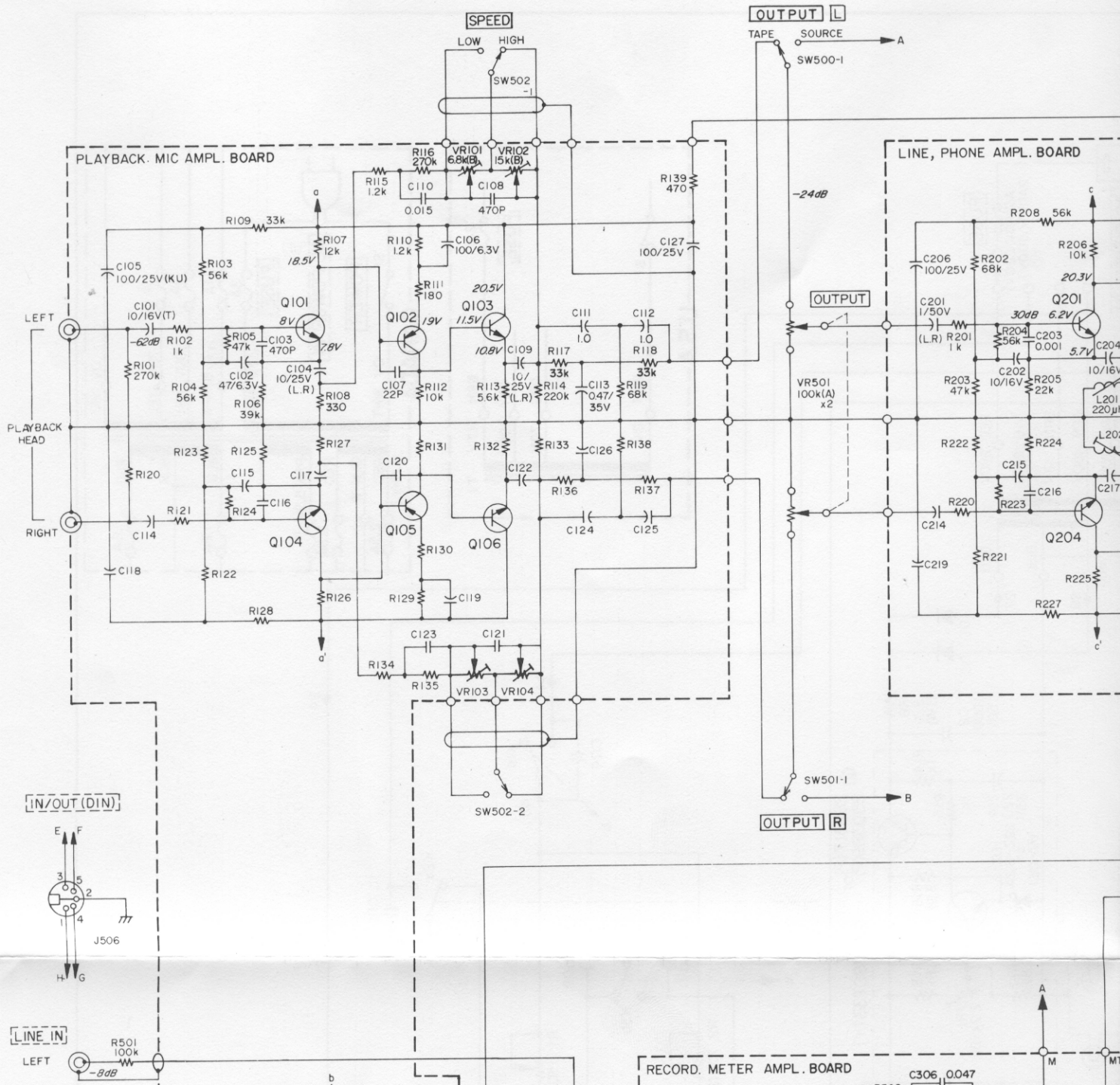


NOTES

- ▭ ON FRONT PANEL
- ▭ ON REAR PANEL
- (—) : SPARK KILLER 0.1 μ F + 120 Ω / 400WV
- |— : 0.1 μ F/400WV
- : BOARD NO.
- D1~D6, D9~D14, D16, D17 : S1B01-02
- D7, D8 : S1B01-06

NOTES

1. ALL RESISTORS ARE 1/4 WATT, 5%, UNLESS MARKED OTHERWISE.
RESISTOR VALUES ARE IN OHMS (k=1,000 OHMS, M=1,000,000 OHMS).
2. ALL CAPACITOR VALUES ARE IN MICROFARADS (μ =PICOFARADS).



OUTPUT L

TAPE SOURCE SW500-1

OUTPUT

J504 a

-8dB

LINE, PHONE AMPL. BOARD

-24dB

OUTPUT

VR501 100k(A) x2

PHONES

J505

OUTPUT R

SW501-1

J504 b

REC EQ

SPEED

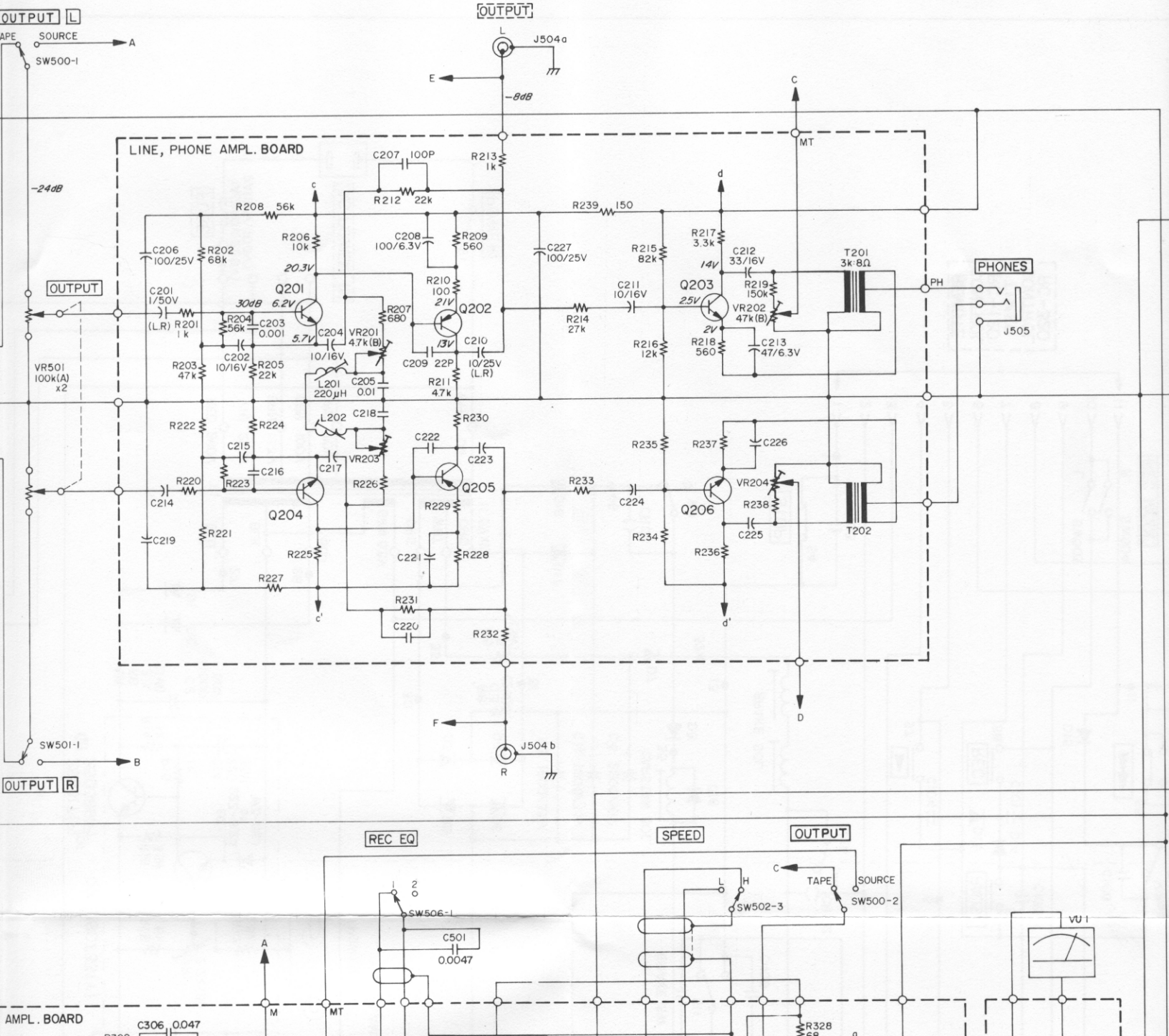
OUTPUT

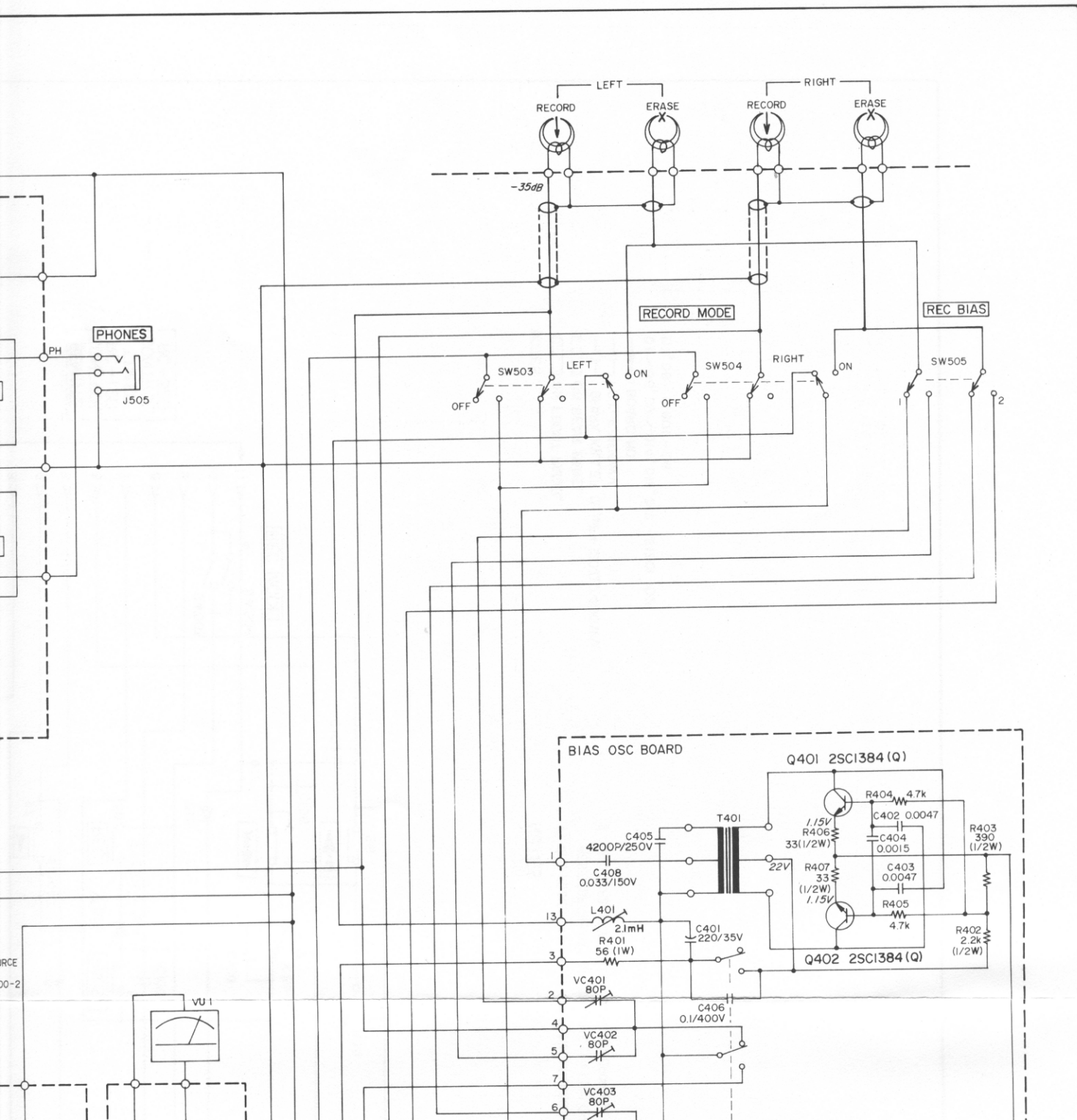
TAPE SOURCE SW500-2

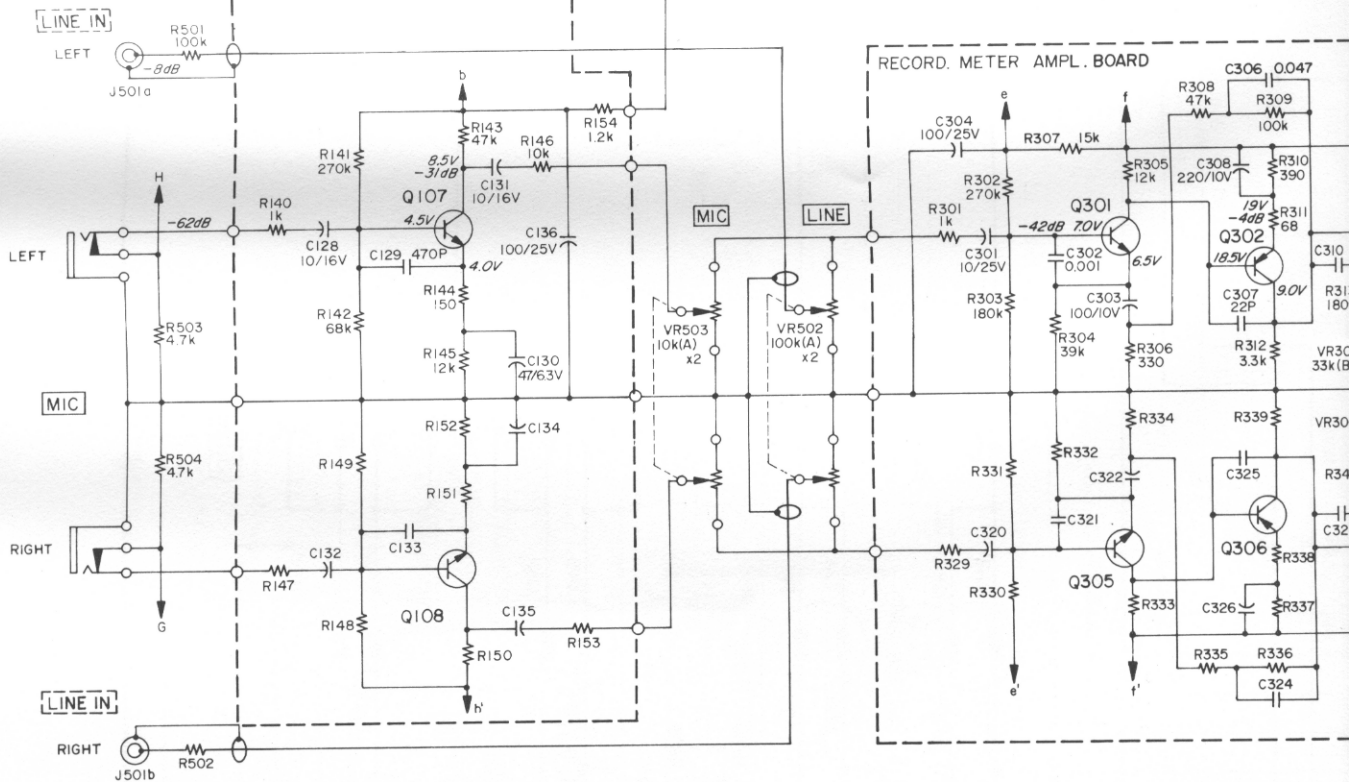
VU 1

AMPL. BOARD

C306 0.047

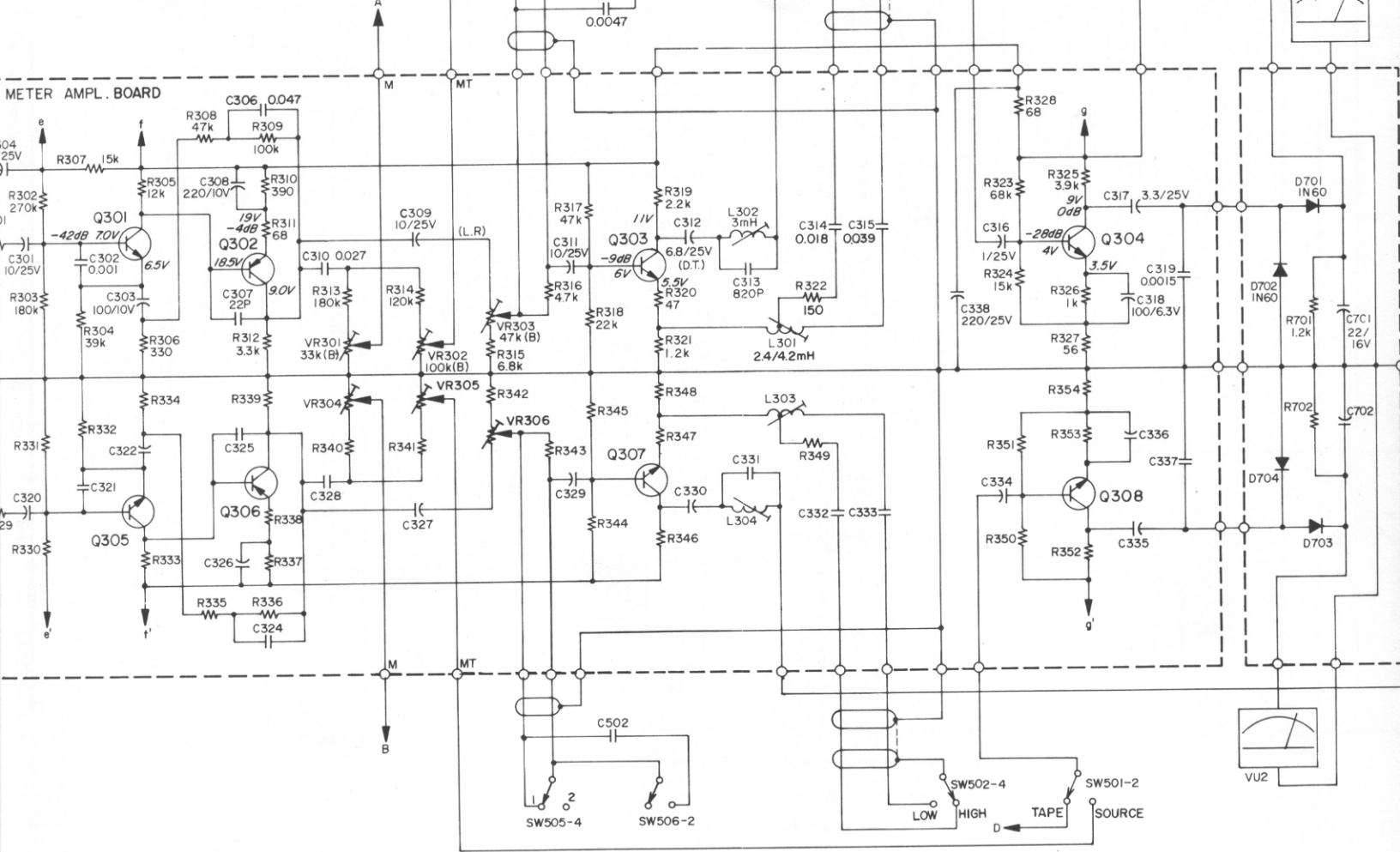


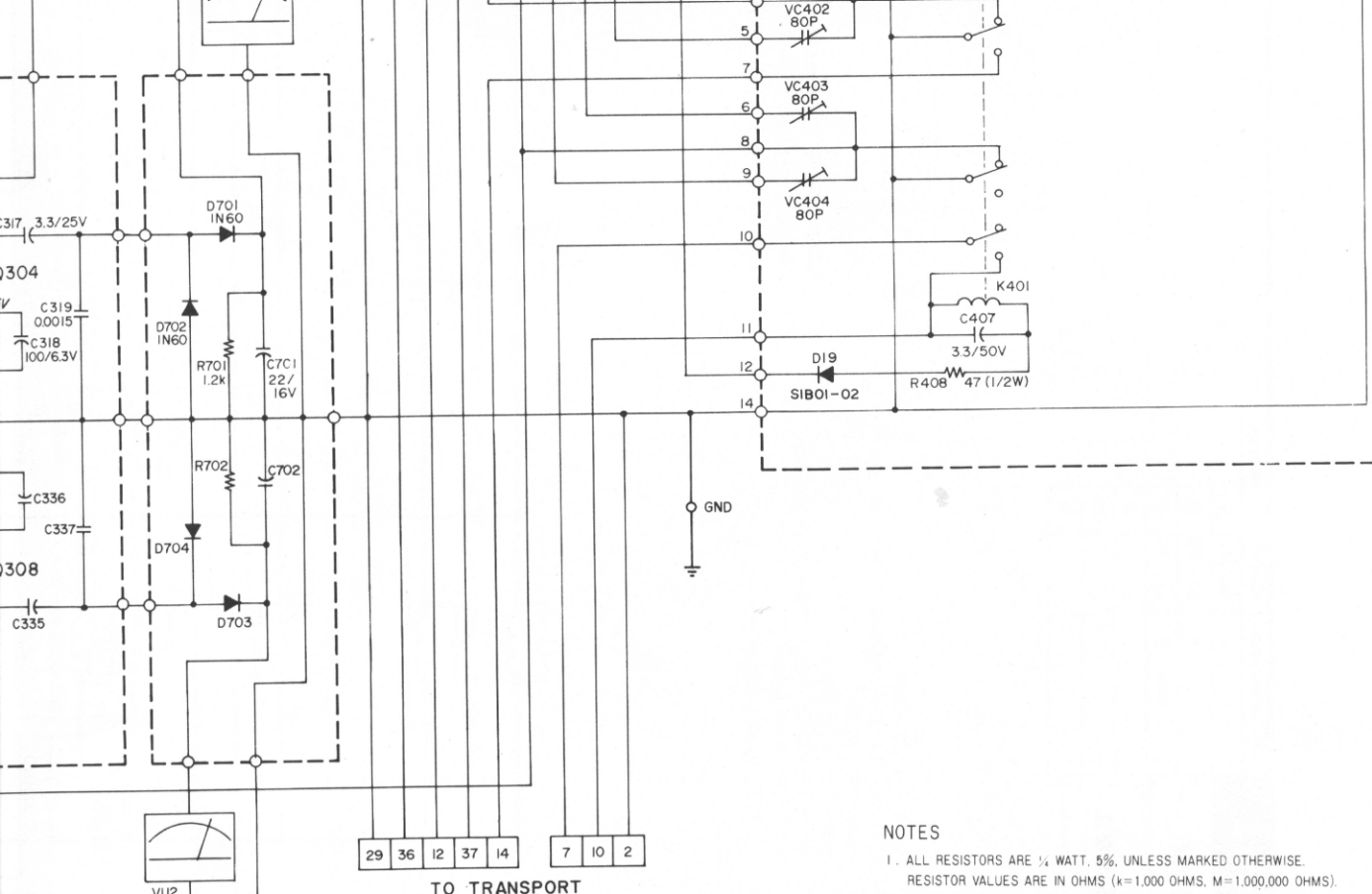




CIRCUIT REF. NO.	DESCRIPTION	CIRCUIT REF. NO.	DESCRIPTION
Q101/Q104	2SC1000(BL) 2SC1345(E)	Q301/Q305	2SC693(G) 2SC900(E)
Q102/Q105	2SA494(Y) 2SA750(E)	Q302/Q306	2SA494(Y) 2SA750(E)
Q103/Q106	2SC828(S) 2SC536(G)	Q303/Q307	2SC828(S) 2SC945L(K)
Q107/Q108	2SC1000(BL) 2SC1345(E)	Q304/Q308	2SC828(S) 2SC536(G)
Q201/Q204	2SC693(G) 2SC900(E)		
Q202/Q205	2SA564(R) 2SA750(E)		
Q203/Q206	2SC536(F) or (G)		

METER AMPL. BOARD





NOTES

1. ALL RESISTORS ARE 1/4 WATT, 5%, UNLESS MARKED OTHERWISE. RESISTOR VALUES ARE IN OHMS (k=1,000 OHMS, M=1,000,000 OHMS).
2. ALL CAPACITOR VALUES ARE IN MICROFARADS (p=PICOFARADS).
3. DC VOLTAGES WERE MEASURED DURING RECORD PAUSE MODE.
4. SIGNAL LEVELS (dB) WERE MEASURED WITH INPUT AND OUTPUT CONTROLS AT SPECIFIED POSITION.
5. READING IN dB REFERENCED TO 0dB=0.775V.

S-109

6			PREAMPLIFIER MODEL NO. A-2300SX SHEET NO.
5			
4			
3			
2	12-76	E-995	
1	06-76		
REVISION	DATE	CHANGE NO.	TEAC CORPORATION