

# 5. SCHEMATIC DIAGRAM

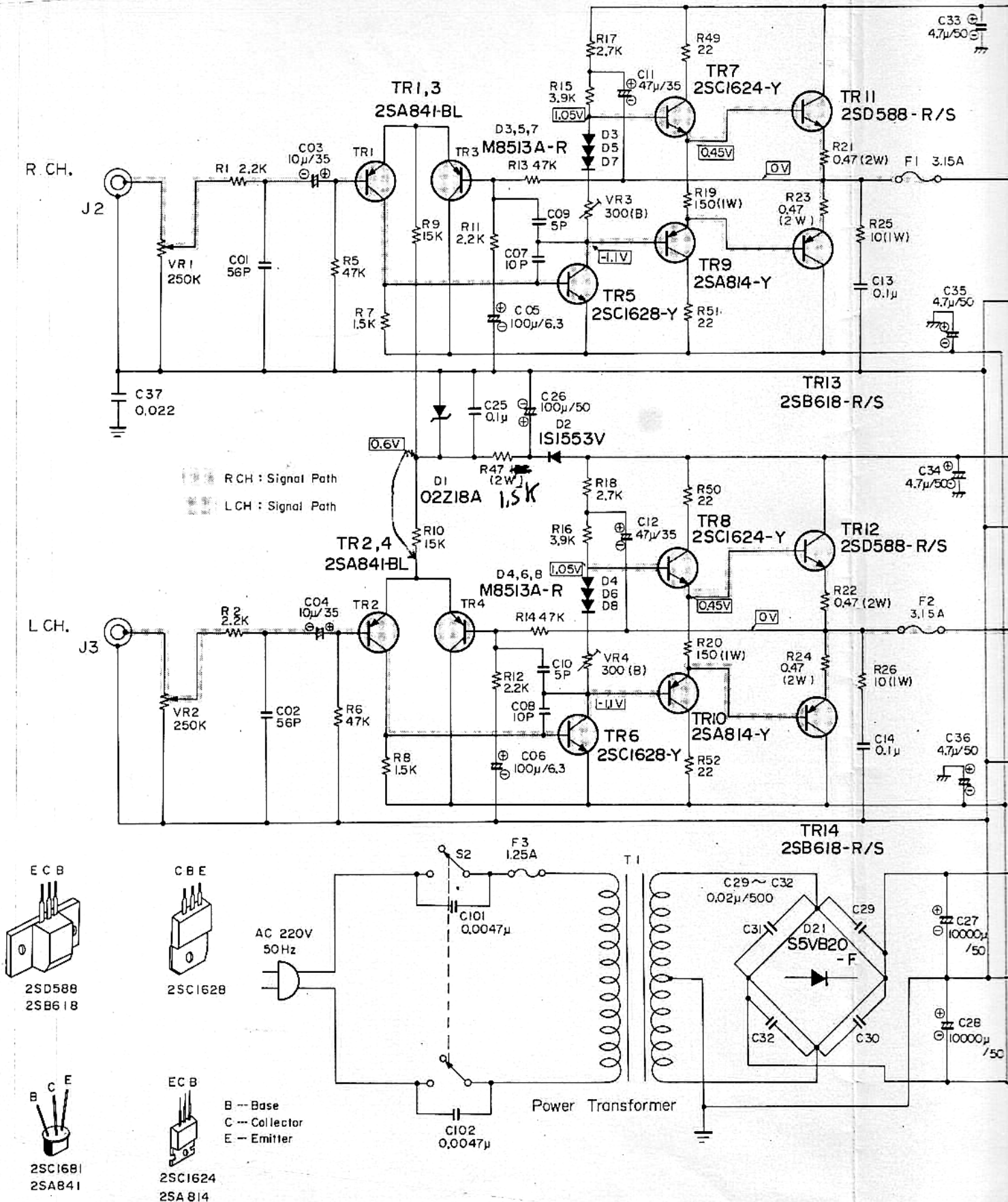


Figure 9.