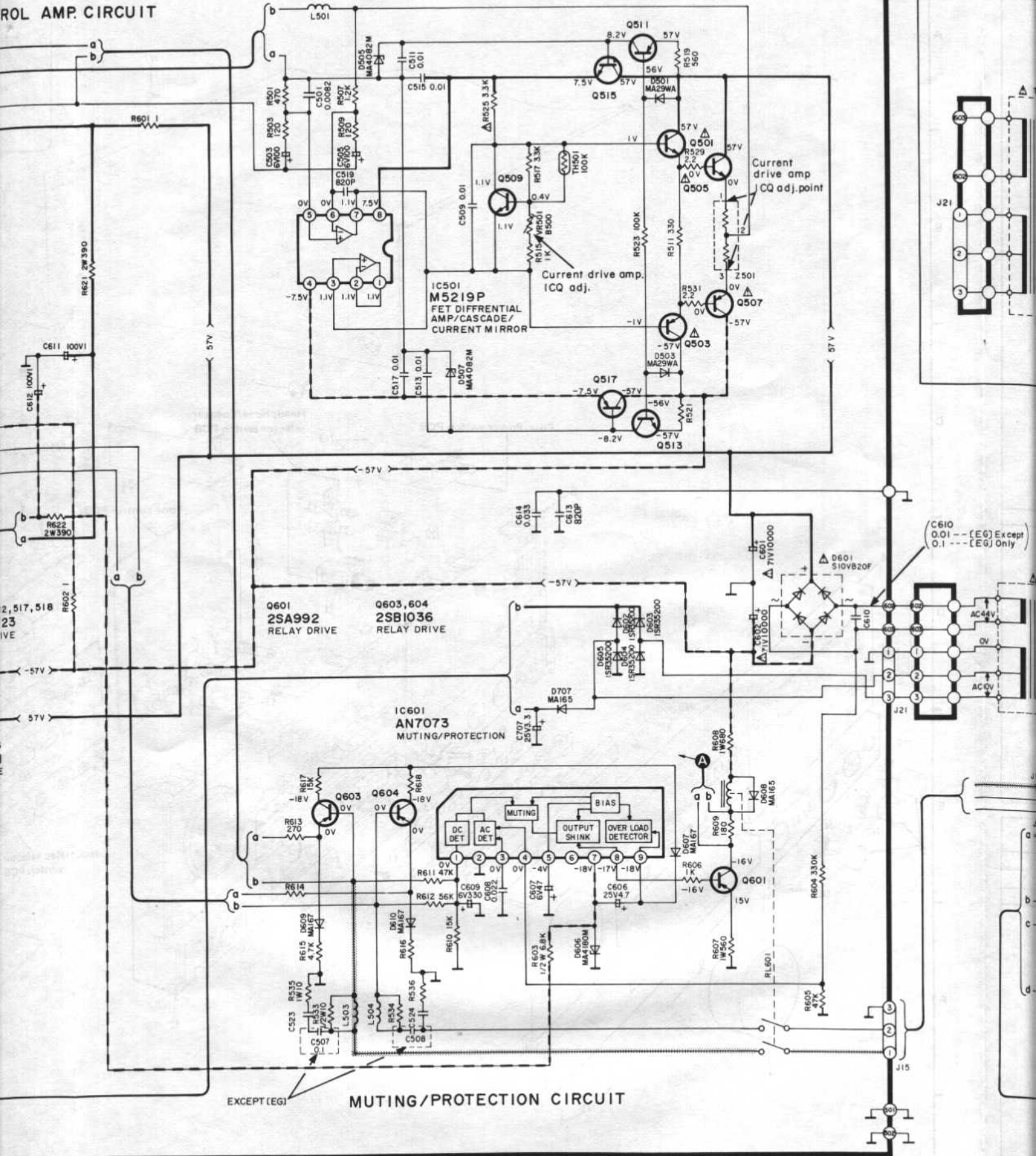


CURRENT DRIVE AMP. CIRCUIT (L ch)

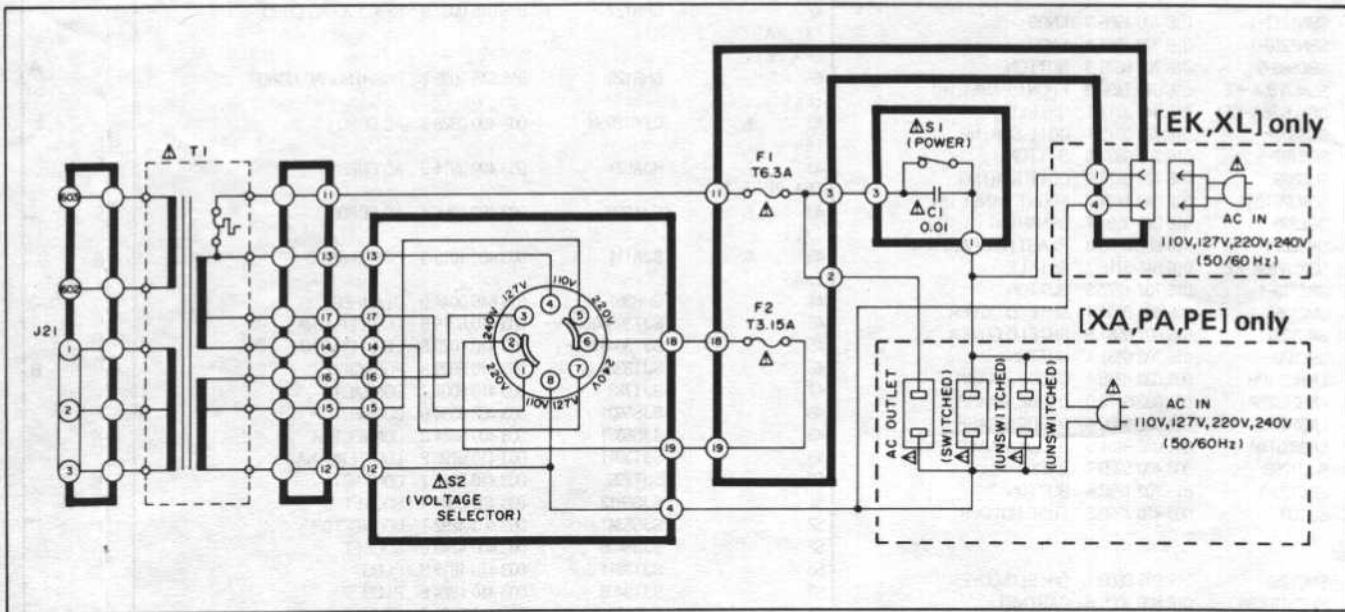


[EK, XL, XA, P]

ROL AMP. CIRCUIT



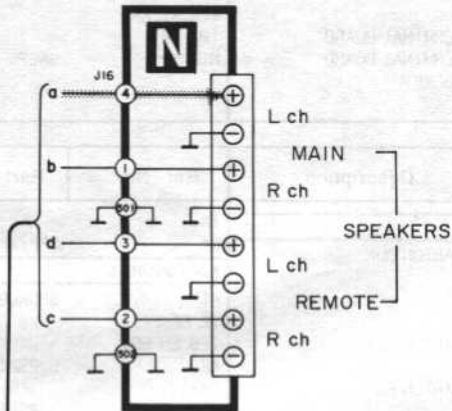
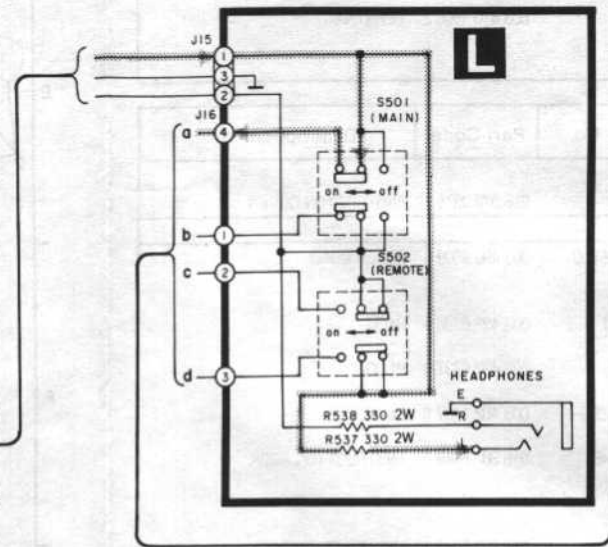
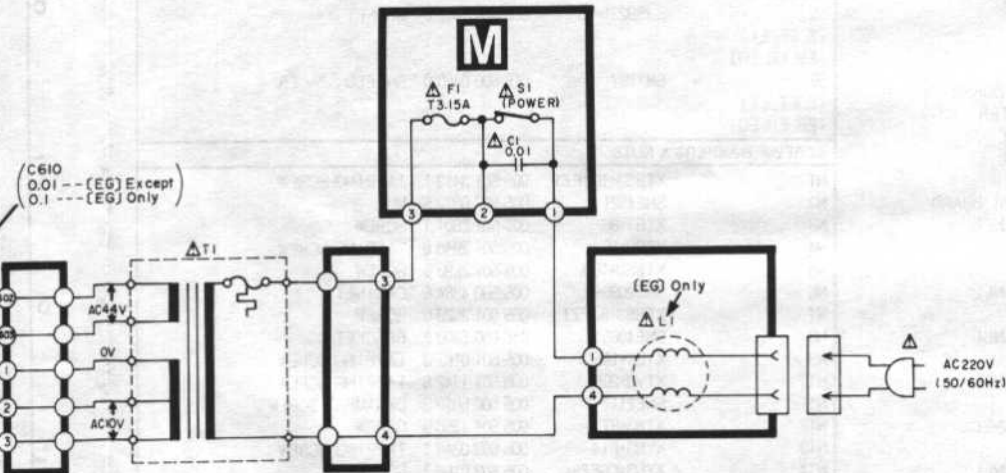
[EK, XL, XA, PA, PE] only



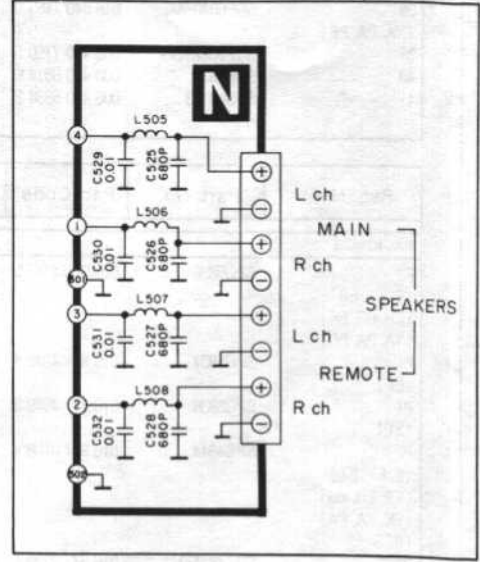
SCHEM

(This schem with the des

- 1. S1 : Power
- 2. S2 (For [EK], : Voltag (127V
- 3. S101 : Phono
- 4. S202 : Tape
- 5. S203 : Mutin
- 6. S204 : Loudn
- 7. S205 : CD di
- 8. S206 : Subso
- 9. S301 : Tone
- 10. S501 : Main s
- 11. S502 : Remo
- 12. S701 ~ S706 : Input



[EG] only


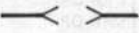



SCHEMATIC DIAGRAM

(This schematic diagram may be modified at any time with the development of new technology.)

1. **S1** : Power switch in "on" position.
2. **S2 (For [EK],[XA],[XL],[PA],[PE] area)**
: Voltage selector switch in "220V" position.
(127V ↔ 110V ↔ 220V ↔ 240V)
3. **S101** : Phono selection switch in "MM" position.
(■ MM, ▲ MC)
4. **S202** : Tape 3 mon/ext switch in "source/out" position.
(■ source/out, ▲ tape/in)
5. **S203** : Muting switch in "0dB" position.
(■ 0dB, ▲ -20dB)
6. **S204** : Loudness switch in "off" position.
(■ off, ▲ on)
7. **S205** : CD direct switch in "off" position.
(■ off, ▲ on)
8. **S206** : Subsonic filter switch in "off" position.
(■ off, ▲ 20Hz)
9. **S301** : Tone control switch in "defeat" position.
(■ defeat, ▲ on)
10. **S501** : Main speaker switch in "off" position.
(■ off, ▲ on)
11. **S502** : Remote speaker switch in "off" position.
(■ off, ▲ on)
12. **S701 ~ S706, S708, S709**
: Input selector switch in "phono" position.
S701 : phono, **S702** : tuner, **S703** : CD
S704 : aux 2, **S705** : aux 1, **S706** : tape 2
S708 : tape 1, **S709** : rec mode

13. Indicated voltage values are the standard values for the unit measured by the DC electronic circuit tester (high-impedance) with the chassis taken as standard. Therefore, there may exist some errors in the voltage values, depending on the internal impedance of the DC circuit tester.

14.  Phono signal (Lch)
15.  Positive voltage lines.
 Negative voltage lines.

16. Important safety notice:
Components identified by Δ mark have special characteristics important for safety. When replacing any of these components, use only manufacturer's specified parts.

● Terminal guide of IC, transistor and diode

