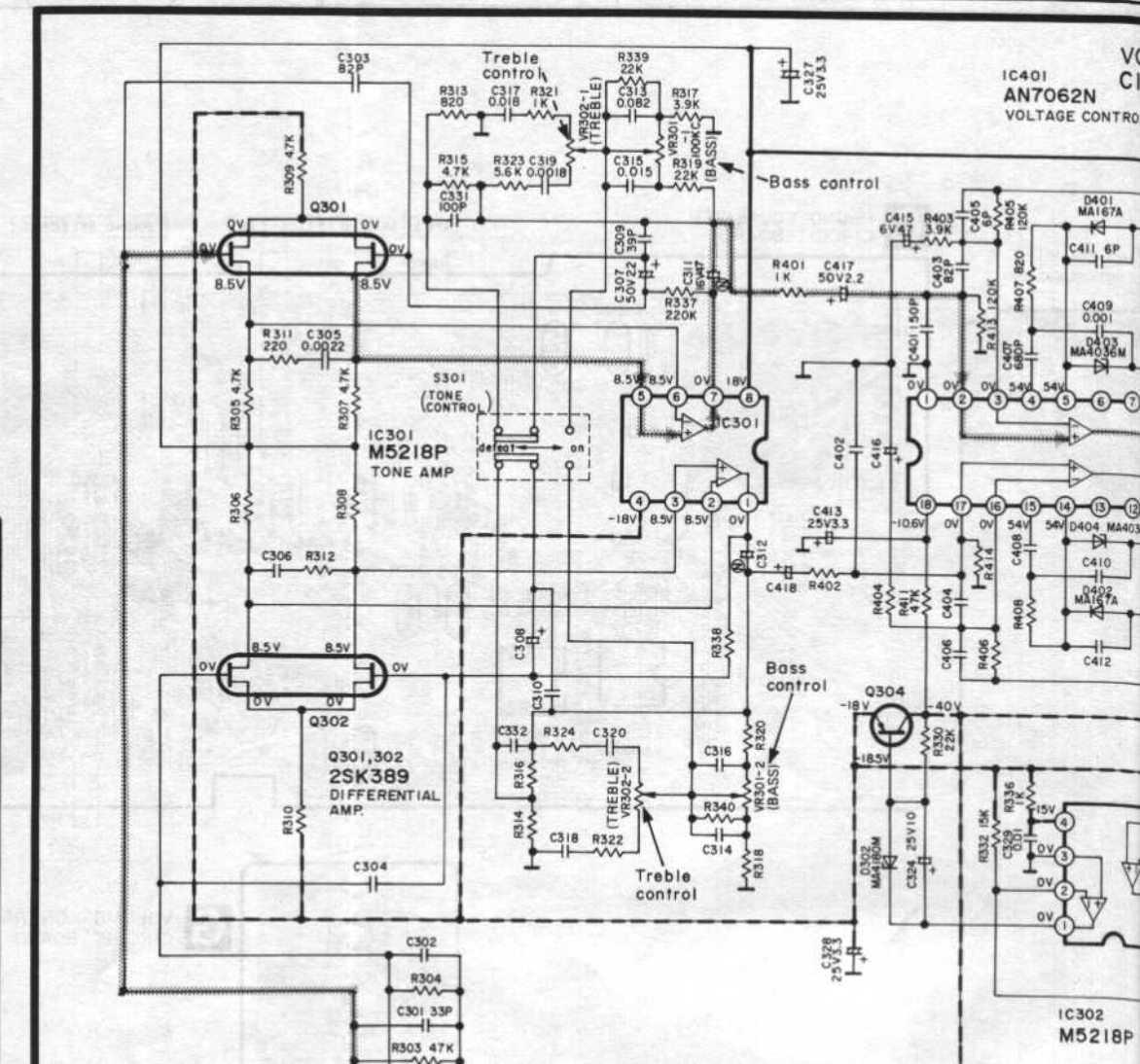
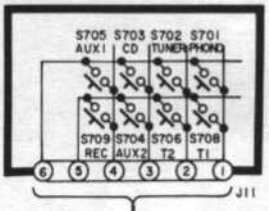
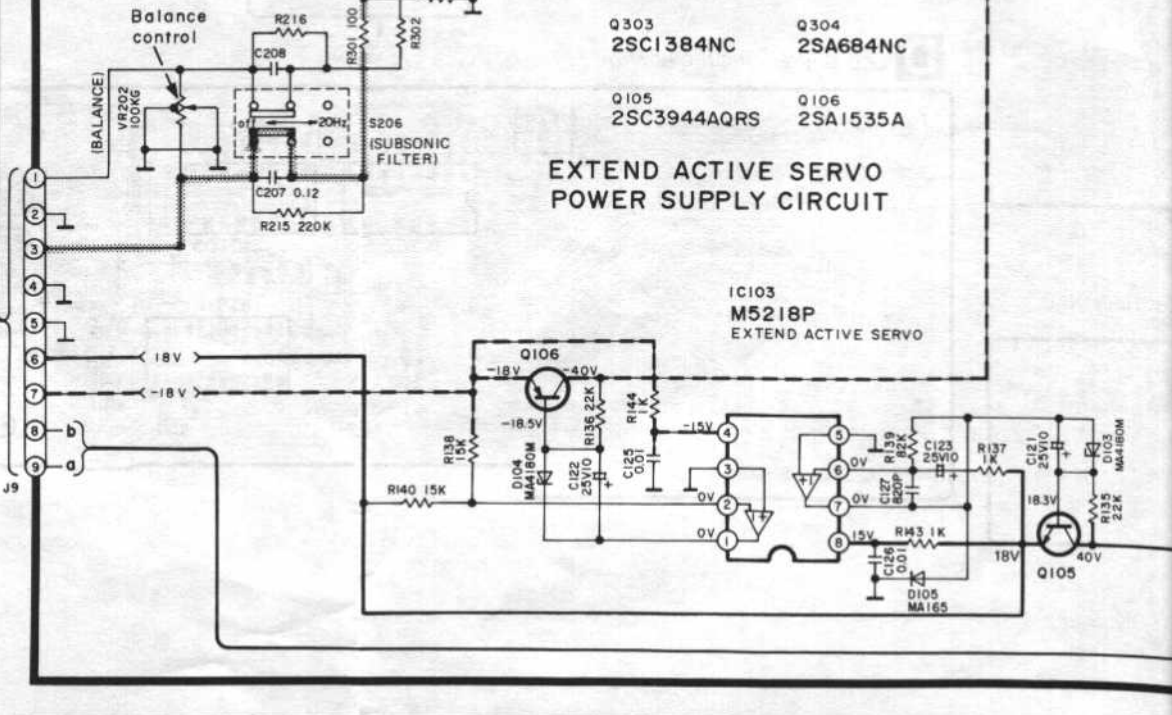


G

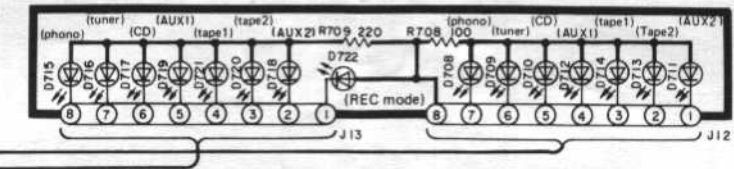
H INPUT/REC SELECTOR SWITCH



EXTEND ACTIVE SERVO POWER SUPPLY CIRCUIT

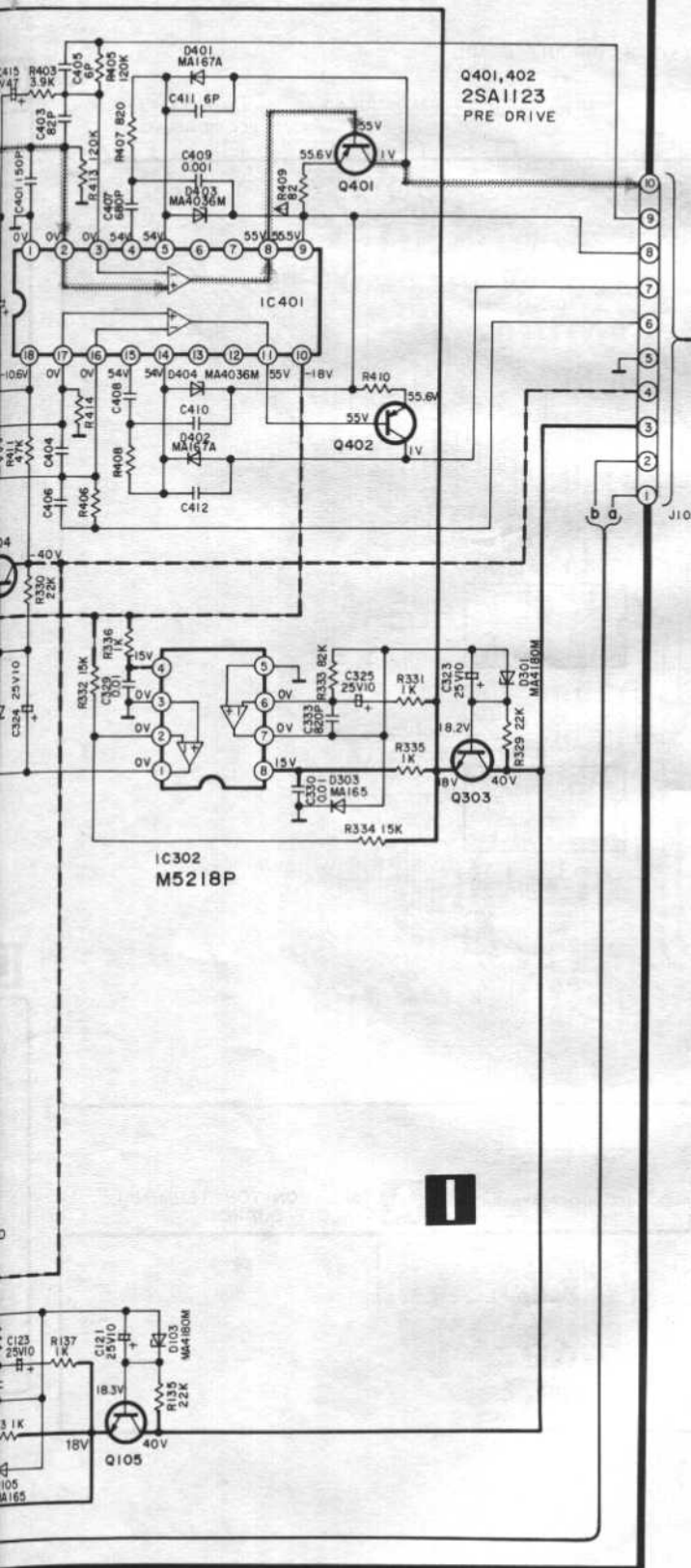


J INPUT/REC SELECTOR LED



VOLTAGE CONTROL AMP CIRCUIT

IC401
AN7062N
VOLTAGE CONTROL AMP.



REC
OR LED