

TA-F310R/F410R

SERVICE MANUAL

AEP Model
TA-F310R

Canadian Model
AEP Model
UK Model
E Model
TA-F410R



photo: TA-F410R

SPECIFICATIONS

Amplifier

Continuous RMS power output (both channels driven simultaneously)

AEP, West Germany models:

		TA-F310R	TA-F410R
DIN, 1 kHz	4 ohms	40 W + 40 W	70 W + 70 W
	8 ohms	29 W + 29 W	50 W + 50 W
20 Hz – 20 kHz THD 0.05%	4 ohms	27 W + 27 W	45 W + 45 W
	8 ohms	24 W + 24 W	35 W + 35 W

Canadian, UK and E models:

		TA-F410R
DIN, 1kHz	8 ohm only	70 W + 70 W
20 Hz – 20 kHz THD 0.05%		50 W + 50 W

Output

Output jack	Jack type	Voltage/impedance
REC OUT	Phono jacks	Voltage 150 mV Impedance 1 kohms
SPEAKERS	—	AEP, West Germany models Accepts speakers of 4 – 16 ohms. Canadian, UK and E models Accepts speakers of 8 – 16 ohms.
HEAD- PHONES	Stereo phone jack	Accepts low and high impedance headphones.

Tone controls

	Response	Turnover frequency
BASS	±8 dB (100 Hz)	500 Hz
TREBLE	±8 dB (15 kHz)	3 kHz

Input

Input jack	Jack type	Sensitivity	Impedance	S/N (weighting network, input level)
PHONO	MM	2.0 mV	50 kilohms	70 dB (A, 2 mV)
TUNER, CD, VIDEO/AUX, TAPE 1, TAPE 2/DAT	Phono	150 mV	50 kilohms	100 dB (150 mV)

Harmonic distortion

TA-F310R and TA-F410R UK, AEP and West Germany models:
Less than 0.7% at rated output

Other TA-F410R models:

Less than 0.05% at rated output

Intermodulation (IM) distortion (60 Hz:7 kHz = 4:1)

Less than 0.05% at rated output

Frequency response

PHONO: RIAA equalization curve

±0.5 dB

TUNER, CD, VIDEO/AUX, TAPE 1,

TAPE 2/DAT: 7 Hz – 100 kHz ±3 dB

Residual noise

Less than 170 μV (network A)

Damping factor

40 (8 ohms, 1 kHz)

—Continued on page 2—

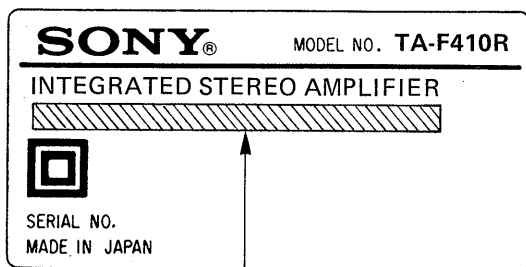
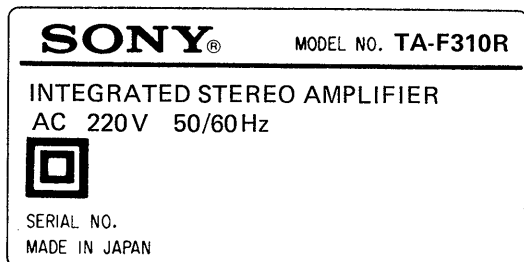
INTEGRATED STEREO AMPLIFIER
SONY®

General

System	Pre-amplifier: Low-noise, high-gain equalizer amplifier Power amplifier: Pure-complementary SEPP OCL power amplifier with all stages directly coupled
Power requirements	Canadian model: 120 V AC, 60 Hz AEP and West Germany models: 220 V AC, 50 Hz UK. model: 240 V AC, 50 Hz E model: 120 V, 220 V or 240 V AC adjustable, 50/60Hz
Power consumption	Models for AEP and West Germany TA-F310R: 80 W TA-F410R: 130 W UK. model: TA-F410R: 220 W Canadian model: TA-F410R: 270 VA E model: TA-F410R: 130 W
Dimensions	Approx. 430 × 135 × 315 mm (w/h/d) (17 × 5 3/8 × 12 1/2 inches)
Weight	TA-F310R: Approx. 5.9 kg (13 lb 1 oz) TA-F410R: Approx. 7.4 kg (16 lb 5 oz)
Accessories	Remote commander RM-S310 (1) Sony SUM-3 (NS) batteries (2)
Design and specifications subject to change without notice.	

MODEL IDENTIFICATION

—Specification Label—



Canadian Model: AC 120V 60Hz 270VA
UK Model: AC240V 50/60Hz
E Model: AC 120/220/240V 50/60Hz 130W
West Germany Model:
AC 220 V 50/60Hz

SAFETY CHECK-OUT

After correcting the original service problem, perform the following safety check before releasing the set to the customer:

Check the antenna terminals, metal trim, "metallized" knobs, screws, and all other exposed metal parts for AC leakage. Check leakage as described below.

LEAKAGE TEST

The AC leakage from any exposed metal part to earth ground and from all exposed metal parts to any exposed metal part having a return to chassis, must not exceed 0.5 mA (500 microamperes). Leakage current can be measured by any one of three methods.

1. A commercial leakage tester, such as the Simpson 229 or RCA WT-540A. Follow the manufacturers' instructions to use these instruments.
2. A battery-operated AC milliammeter. The Data Precision 245 digital multimeter is suitable for this job.
3. Measuring the voltage drop across a resistor by means of a VOM or battery-operated AC voltmeter. The "limit" indication is 0.75 V, so analog meters must have an accurate low-voltage scale. The Simpson 250 and Sanwa SH-63Trd are examples of a passive VOM that is suitable. Nearly all battery operated digital multimeters that have a 2 V AC range are suitable. (See Fig. A)

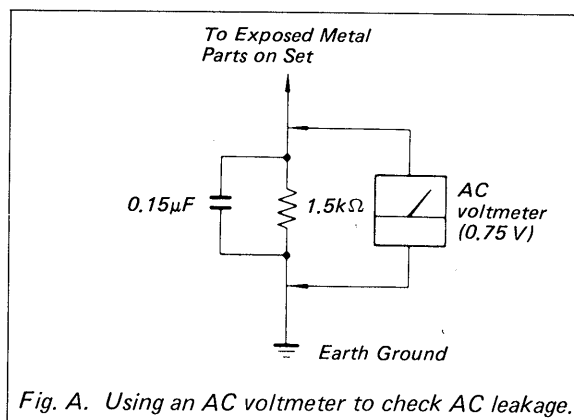


Fig. A. Using an AC voltmeter to check AC leakage.

SAFETY-RELATED COMPONENT WARNING!!

COMPONENTS IDENTIFIED BY MARK OR DOTTED LINE WITH MARK ON THE SCHEMATIC DIAGRAMS AND IN THE PARTS LIST ARE CRITICAL TO SAFE OPERATION. REPLACE THESE COMPONENTS WITH SONY PARTS WHOSE PART NUMBERS APPEAR AS SHOWN IN THIS MANUAL OR IN SUPPLEMENTS PUBLISHED BY SONY.

ATTENTION AU COMPOSANT AYANT RAPPORT À LA SÉCURITÉ!

LES COMPOSANTS IDENTIFIÉS PAR UNE MARQUE SUR LES DIAGRAMMES SCHÉMATIQUES ET LA LISTE DES PIÈCES SONT CRITIQUES POUR LA SÉCURITÉ DE FONCTIONNEMENT. NE REMPLACER CES COMPOSANTS QUE PAR DES PIÈCES SONY DONT LES NUMÉROS SONT DONNÉS DANS CE MANUEL OU DANS LES SUPPLÉMENTS PUBLIÉS PAR SONY.

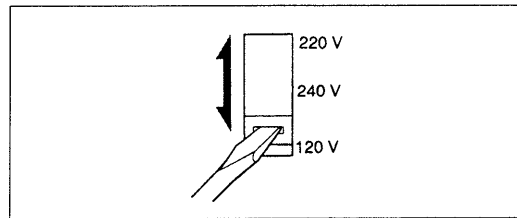
TABLE OF CONTENTS

<u>Section</u>	<u>Title</u>	<u>Page</u>
Specifications		1
Model Identification		2
Safety Check-out		2
Servicing Note		2
On operating voltage		3
SECTION 1. GENERAL		
Parts identification		3
Connections		4
SECTION 2. DISASSEMBLY		
SECTION 3. ADJUSTMENTS		
SECTION 4. DIAGRAMS		
4-1. Block Diagram		6
4-2. Circuit Boards Location		8
4-3. Semiconductor Lead Layouts		8
4-4. Printed Wiring Boards		10
4-5. Schematic Diagram		15
SECTION 5. EXPLODED VIEWS		
SECTION 6. ELECTRICAL PARTS LIST		

On operating voltage

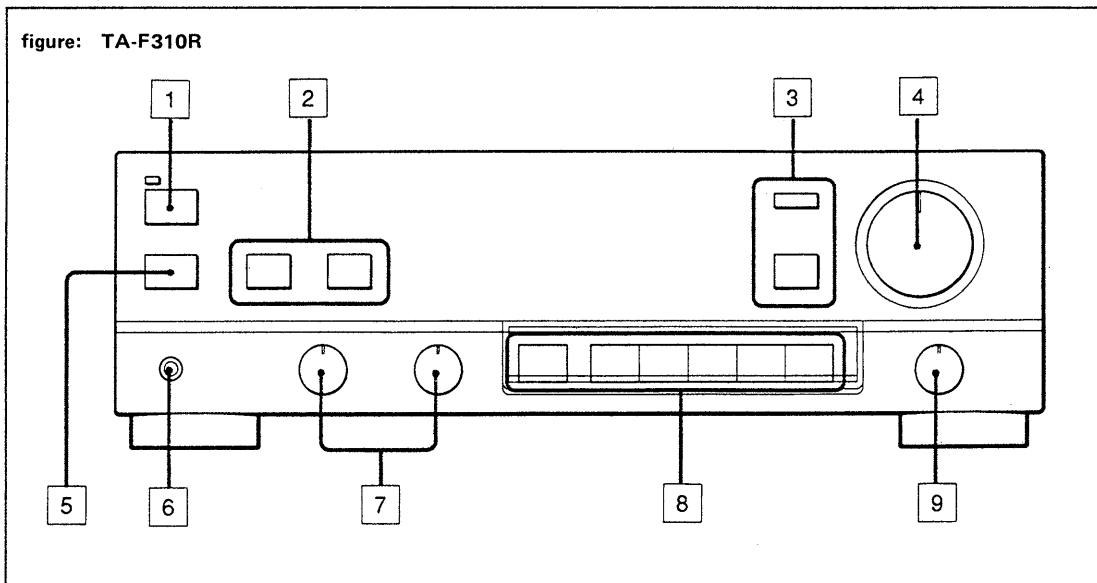
Before operating the unit, check that the operating voltage of your unit is identical with the voltage of your local power supply.

Where purchased	Operating voltage
Canadian model	120 V AC
UK model	240 V AC
AEP, West Germany model	220 V AC
E model	120 V, 220 V or 240 V AC adjustable The voltage selector is located on the rear panel. If the selector must be reset, disconnect the AC power cord and set the selector to the proper voltage of your local power supply.



SECTION 1 GENERAL

Parts identification

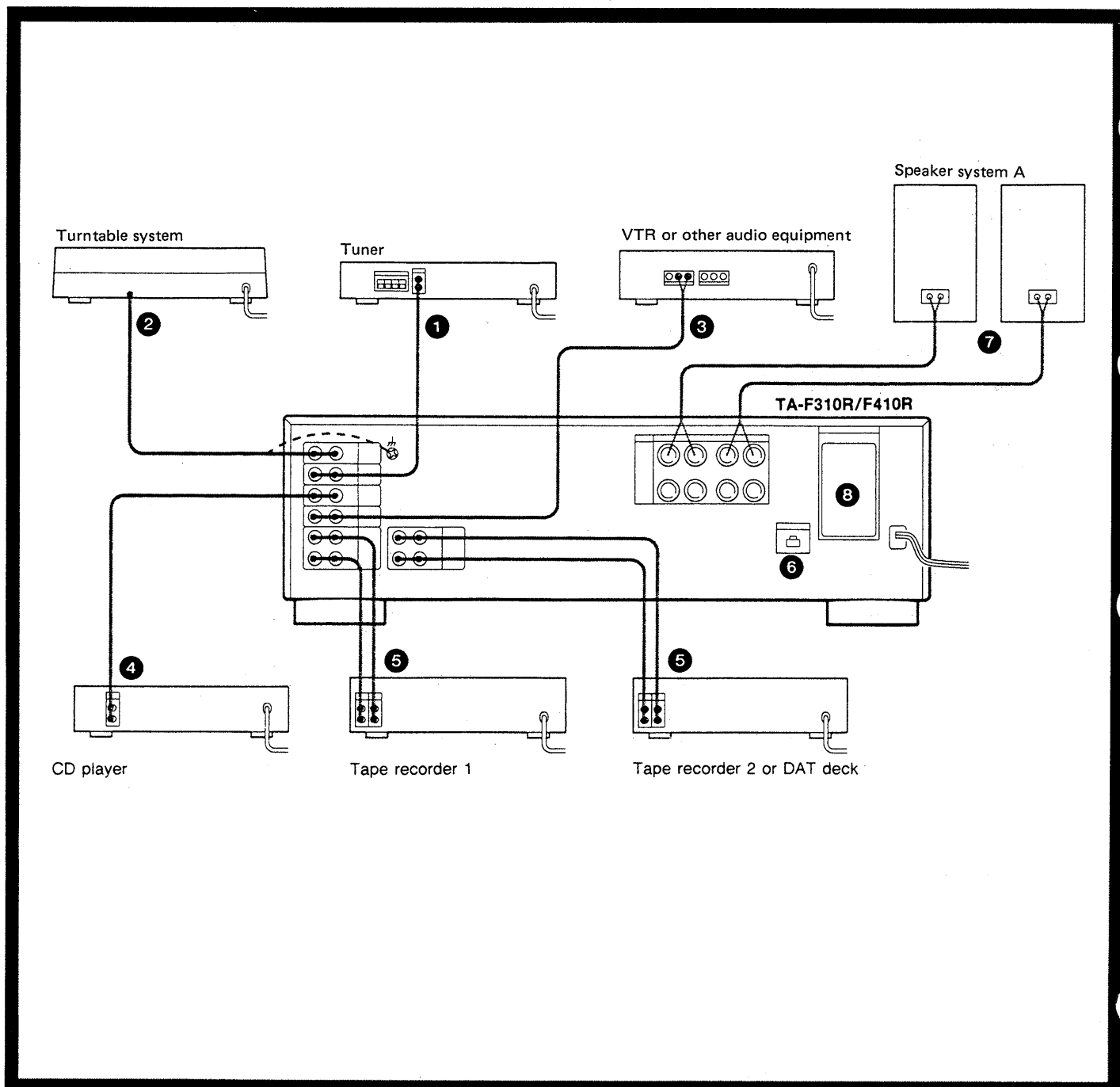


- 1 POWER switch
- 2 SPEAKERS selector
Button selectors for TA-F310R and rotary selector for TA-F410R.
- 3 SOURCE DIRECT switch and indicator
- 4 VOLUME control
- 5 Remote control sensor
- 6 HEADPHONES jack
- 7 TONE controls
- 8 INPUT SELECTOR and MONITOR
- 9 BALANCE control
- 10 REC OUT (Recording out) SELECTOR (TA-F410R only)

Connections

Notes on Connection

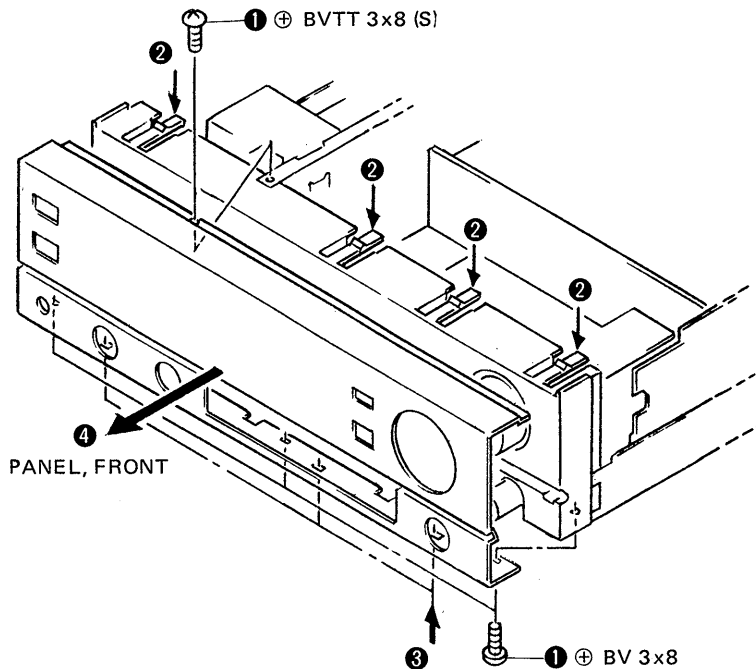
- Connect the AC power cord last. Make sure power is off.
- Cord plugs and jacks are color coded. Red plugs and jacks are for right channel (R) and white ones for left channel (L).
- Fully insert cable connectors into jacks. Loose connections may cause hum or noise.



SECTION 2 DISASSEMBLY

Note: Follow the disassembly procedure in the numerical order given.

1. Remove screws $\times 4$.
2. Push leaves ② down to release 4 claws.
3. Release claws ③ in the bottom.
4. Pull front panel in the direction of arrow ④ .



SECTION 3 ADJUSTMENTS

Bias Current Adjustment

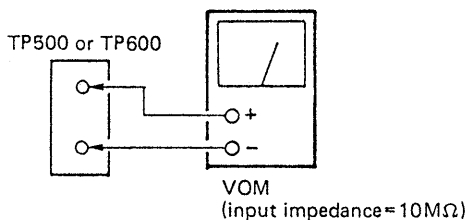
Note: This adjustment should be performed under thermal stable condition. Before starting the adjustment, wait for more than an hour after switch off for cooling, and perform the adjustment within one minute after switching on.

Procedure:

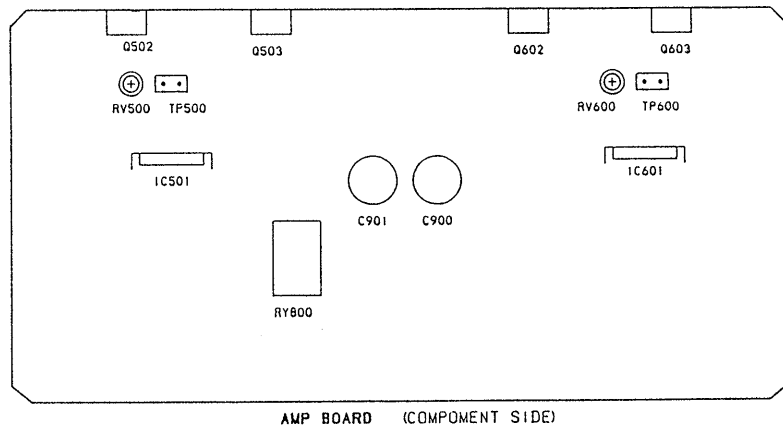
1. Set main volume to minimum position.
2. Switch on the set.
3. Adjust RV500 (RV600 for right channel) so that the voltage across TP500 and TP600 becomes the value indicated below.

Adjustment Values:

TA-F310R $4 \text{ mV} \pm 0.3 \text{ mV}$
 TA-F410R $2 \text{ mV} \pm 0.3 \text{ mV}$

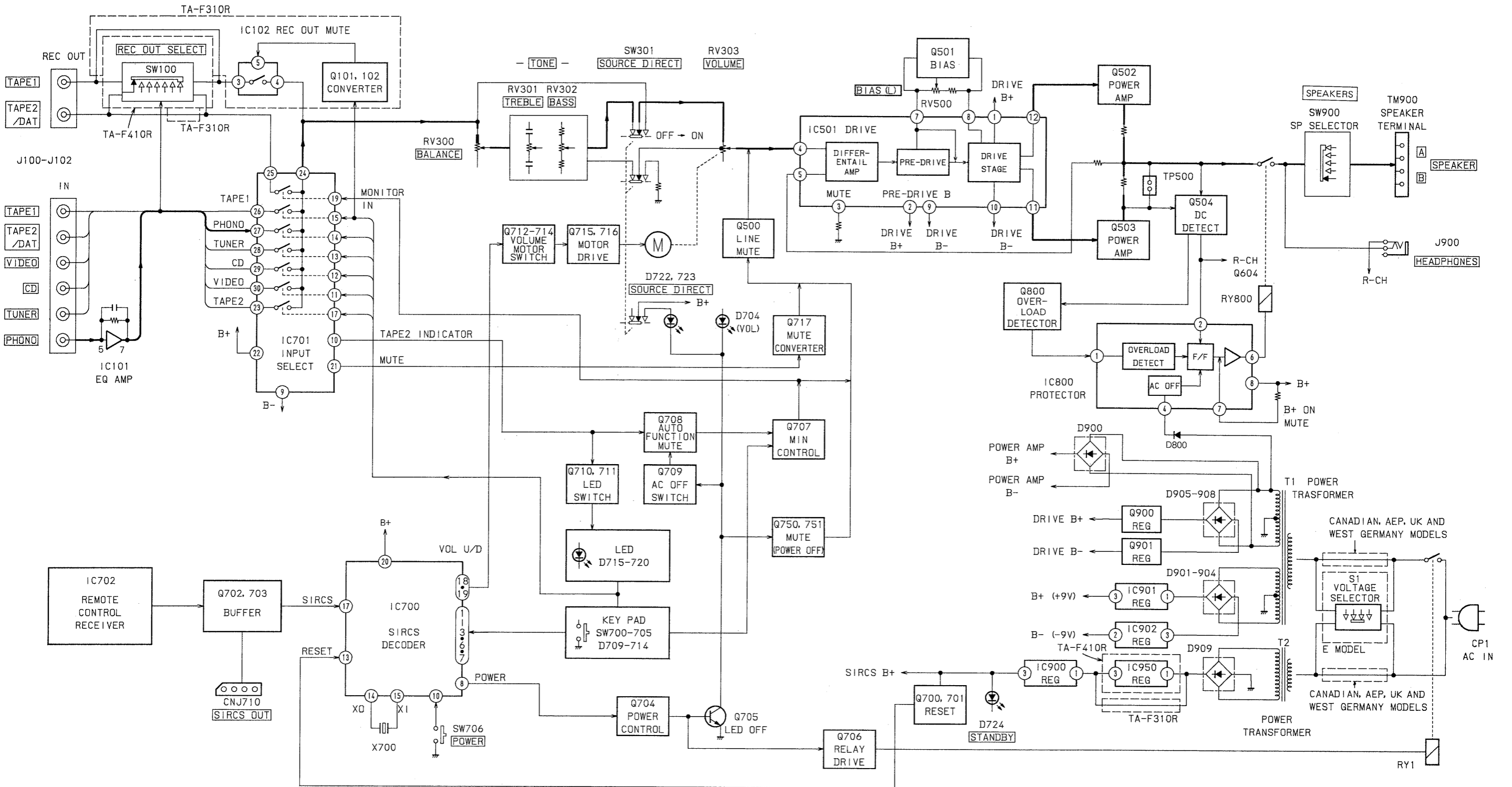


Adjustment Location:

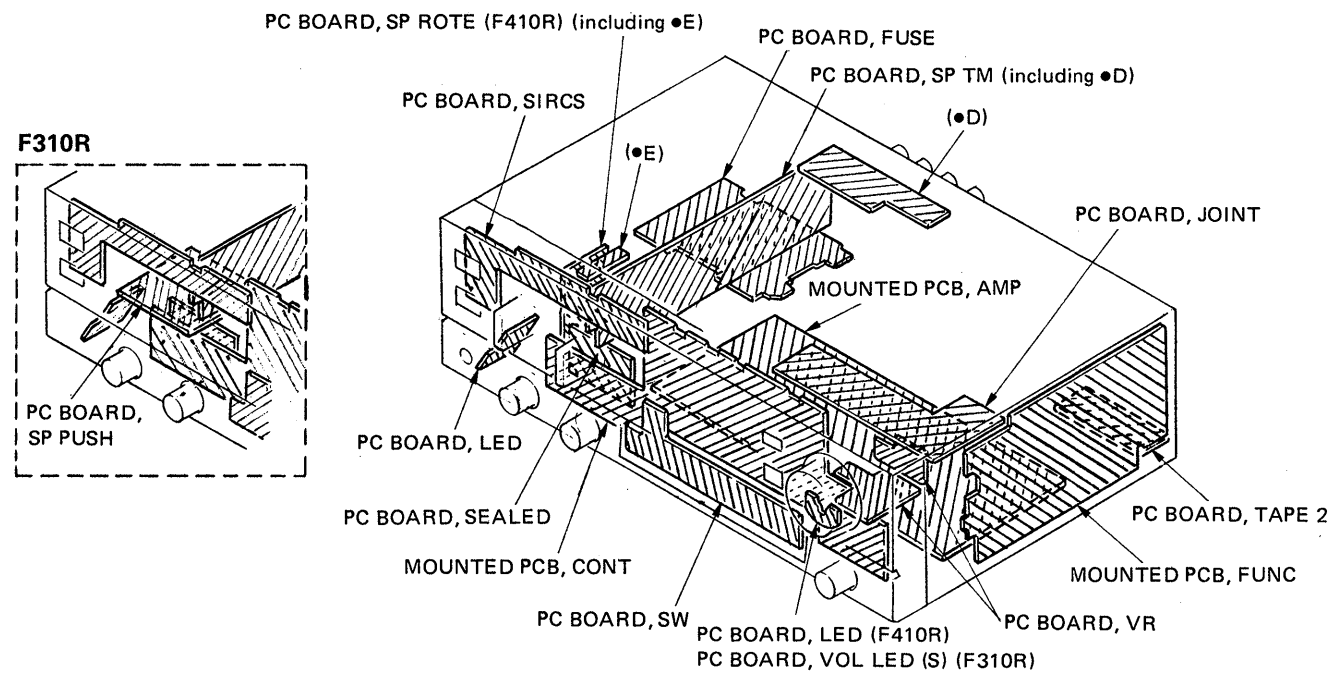


SECTION 4 DIAGRAMS

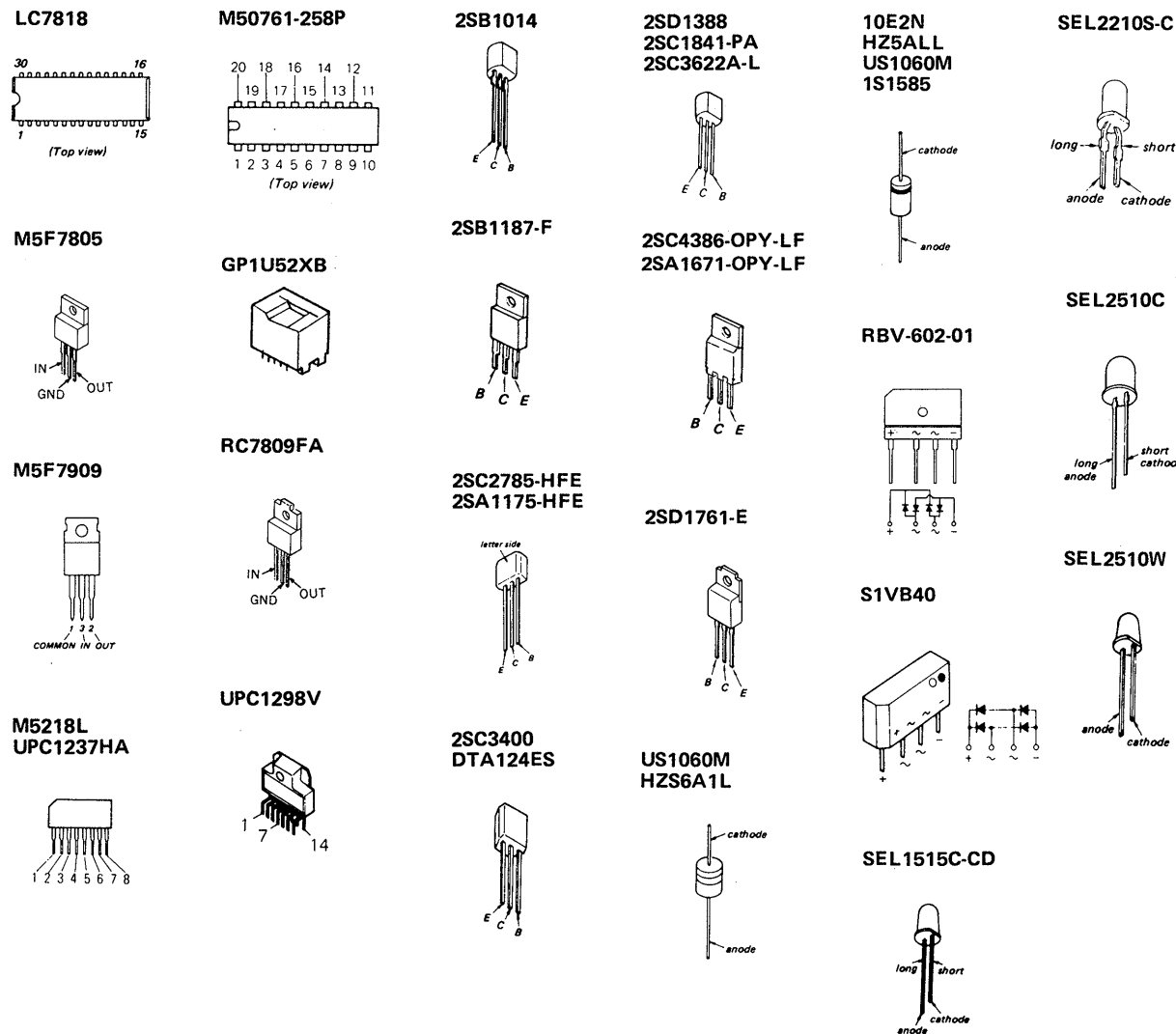
4-1. BLOCK DIAGRAM



4-2. CIRCUIT BOARDS LOCATION



4-3. SEMICONDUCTOR LEAD LAYOUTS

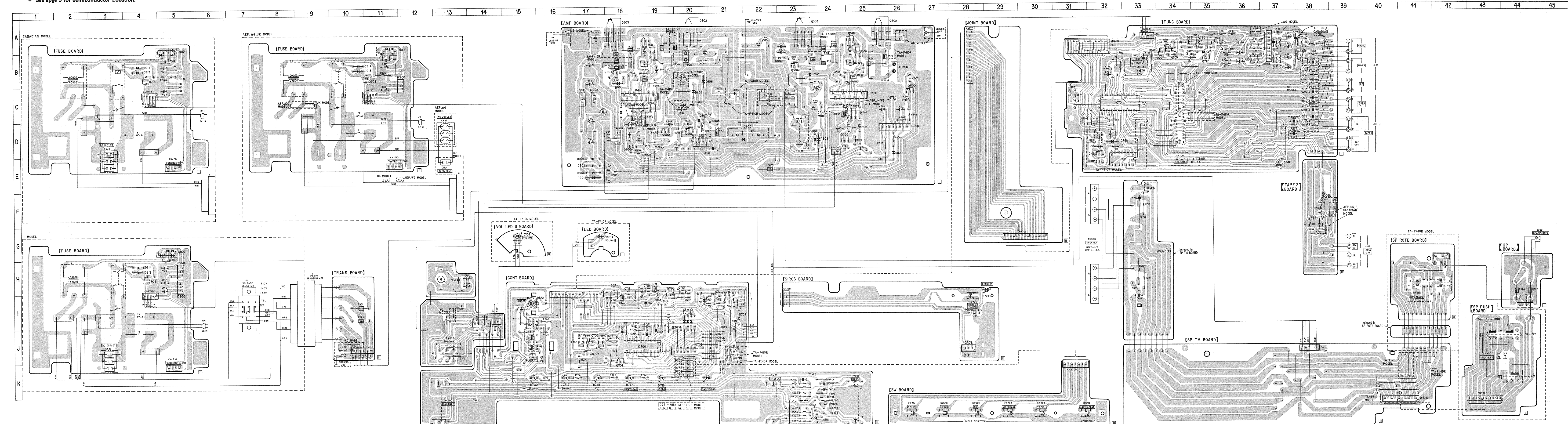


● SEMICONDUCTOR LOCATIONS

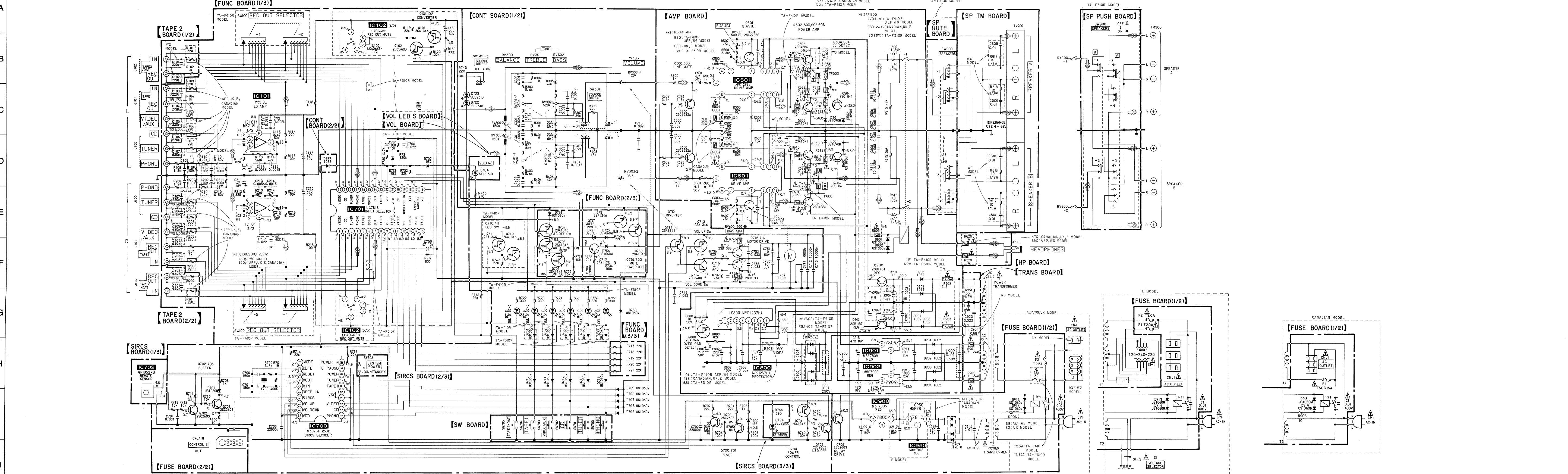
Ref. No.	Location	Ref. No.	Location
D501	B-23	D914	(CND) B-4
D502	B-23		(E) H-4
D601	C-18		(AEP, WG, UK) B-1
D602	C-18		
D700	J-17	IC101	B-37
D701	I-20	IC102	(F310R) E-32
D702	B-32	IC501	C-25
D703	B-33	IC601	C-19
D704	(F310R) G-15	IC700	J-19
	(F410R) G-17	IC701	C-32
D705	J-21	IC702	I-28
D706	J-21	IC800	D-26
D707	J-21	IC900	(CND) C-5
D708	J-21		(E) H-5
D709	J-21		(AEP, WG, UK) C-1
D710	I-20	IC901	C-17
D711	I-20	IC902	C-17
D712	I-20	IC950	(E) H-5
D713	J-19		
D714	J-19	Q101	(F310R) E-32
D715	K-20	Q102	(F310R) E-32
D716	K-19	Q500	D-24
D717	K-18	Q501	A-25
D718	K-17	Q502	A-26
D719	K-16	Q503	A-23
D720	K-15	Q504	B-23
D721	B-34	Q600	D-18
D722	I-15	Q601	A-19
D723	I-15	Q602	A-20
D724	I-29	Q603	A-18
D725	B-34	Q604	B-18
D750	D-32	Q700	J-17
D751	(F410R) K-20	Q701	J-18
D752	(F410R) K-20	Q702	I-21
D753	(F410R) K-20	Q703	I-20
D754	(F410R) K-20	Q704	K-18
D755	(F410R) K-20	Q705	J-17
D756	B-35	Q706	(CND) B-4
D757	I-21		(E) H-4
D758	B-34		(AEP, WG, UK) B-11
D800	E-26	Q707	B-34
D801	D-24	Q708	B-34
D802	D-24	Q709	B-34
D900	D-22	Q710	(F410R) J-21
D901	E-17	Q711	(F410R) J-21
D902	E-17	Q712	I-20
D903	E-17	Q713	I-20
D904	E-17	Q714	I-19
D905	D-21	Q715	I-19
D906	C-20	Q716	I-18
D907	D-20	Q717	B-35
D908	C-20	Q750	B-35
D909	(CND) B-5	Q751	B-34
	(E) G-5	Q800	C-26
	(AEP, WG, UK) B-11	Q900	D-19
D913	(CND) B-4	Q901	D-20
	(E) H-4		
	(AEP, WG, UK) B-10		

4-4. PRINTED WIRING BOARDS

- See page 8 for Circuit Boards Location and Semiconductor Lead Layouts.
- See page 9 for Semiconductor Location.



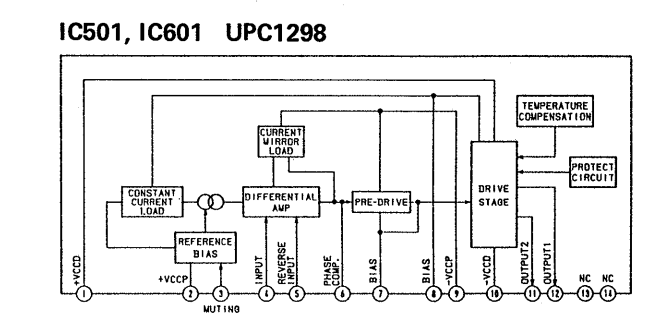
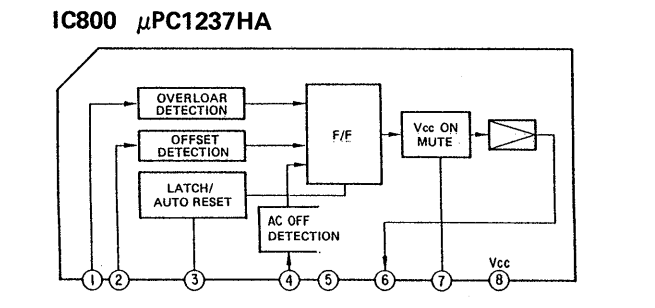
4-5. SCHEMATIC DIAGRAM



- All capacitors are in μF unless otherwise noted. pF: μF 50W or less are not indicated except for electrolytics and tantalums.
- All resistors are in Ω and $\frac{1}{4} W$ or less unless otherwise specified.
- \square : nonflammable resistor.
- \square : fusible resistor.
- \square : B + LINE
- \square : B - LINE
- \square : adjustment for repair.
- Voltage are dc with respect to ground under no signal conditions. no mark: PHONO
- Voltagas are taken with a VOM. (input impedance 50K Ω)
- Voltage variations may be noted due to normal production tolerances.
- Signal path.
- \square : PHONO
- abbreviation
- WG: West Germany

Note: The components identified by mark Δ or dotted line with mark Δ are critical for safety. Replace only with part number specified.

Note: Les composants identifiés par une marque Δ sont critiques pour la sécurité. Ne les remplacer que par une pièce portant le numéro spécifié.



SECTION 5
EXPLODED VIEWS

NOTE:

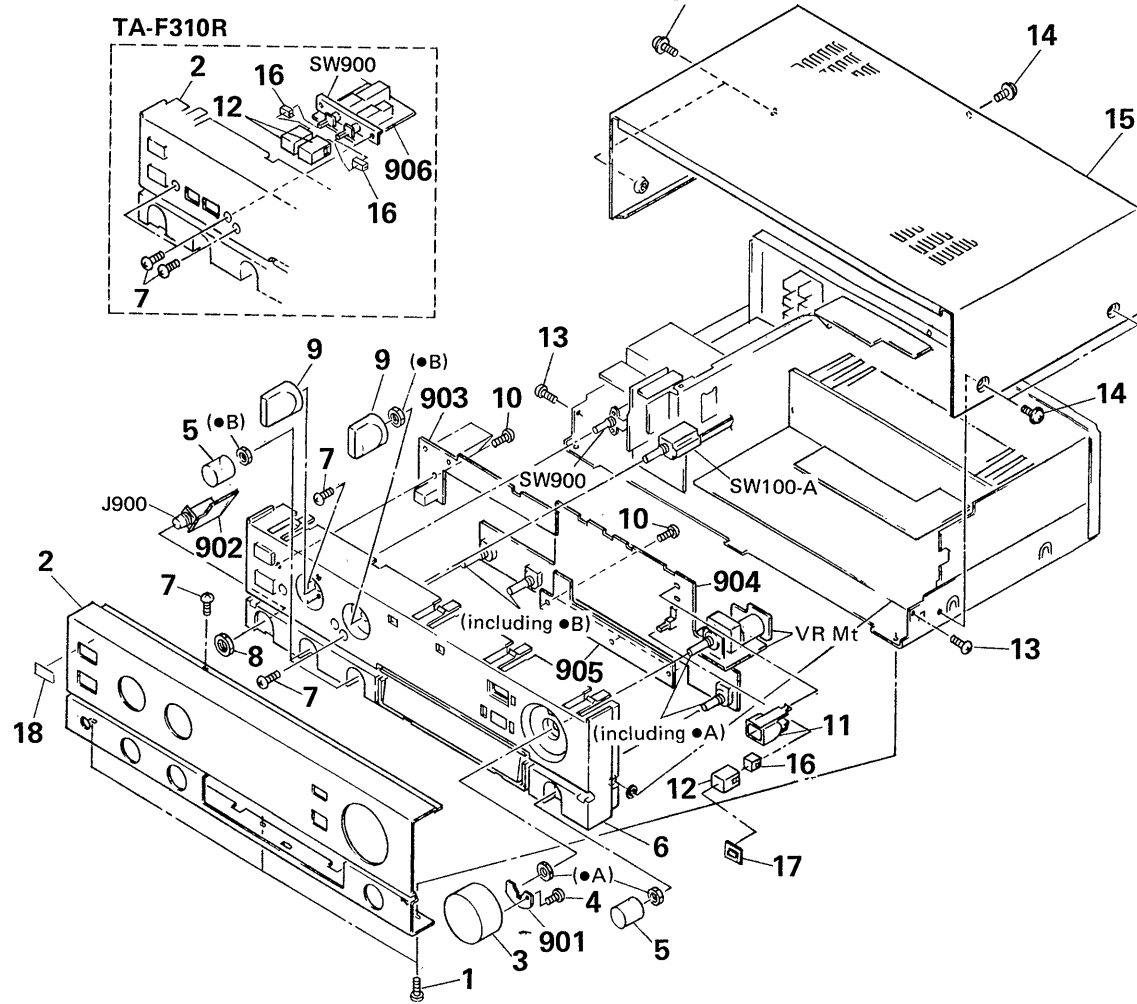
- The mechanical parts with no reference number in the exploded views are not supplied.
- The construction parts of an assembled part are indicated with a collation number in the remark column.
- Items marked "★" are not stocked since they are seldom required for routine service. Some delay should be anticipated when ordering these items.

- Due to standardization, parts with part number suffix -XX and -X may be different from the parts specified in the components used on the set.
- Color Indication of Appearance Parts Example:
(RED)... KNOB, BALANCE (WHITE)
↑ Cabinet's Color ↑ Parts' Color
- WG: West Germany model.

The components identified by mark or dotted line with mark are critical for safety. Replace only with part number specified.

Les composants identifiés par une marque sont critiques pour la sécurité. Ne les remplacer que par une pièce portant le numéro spécifié.

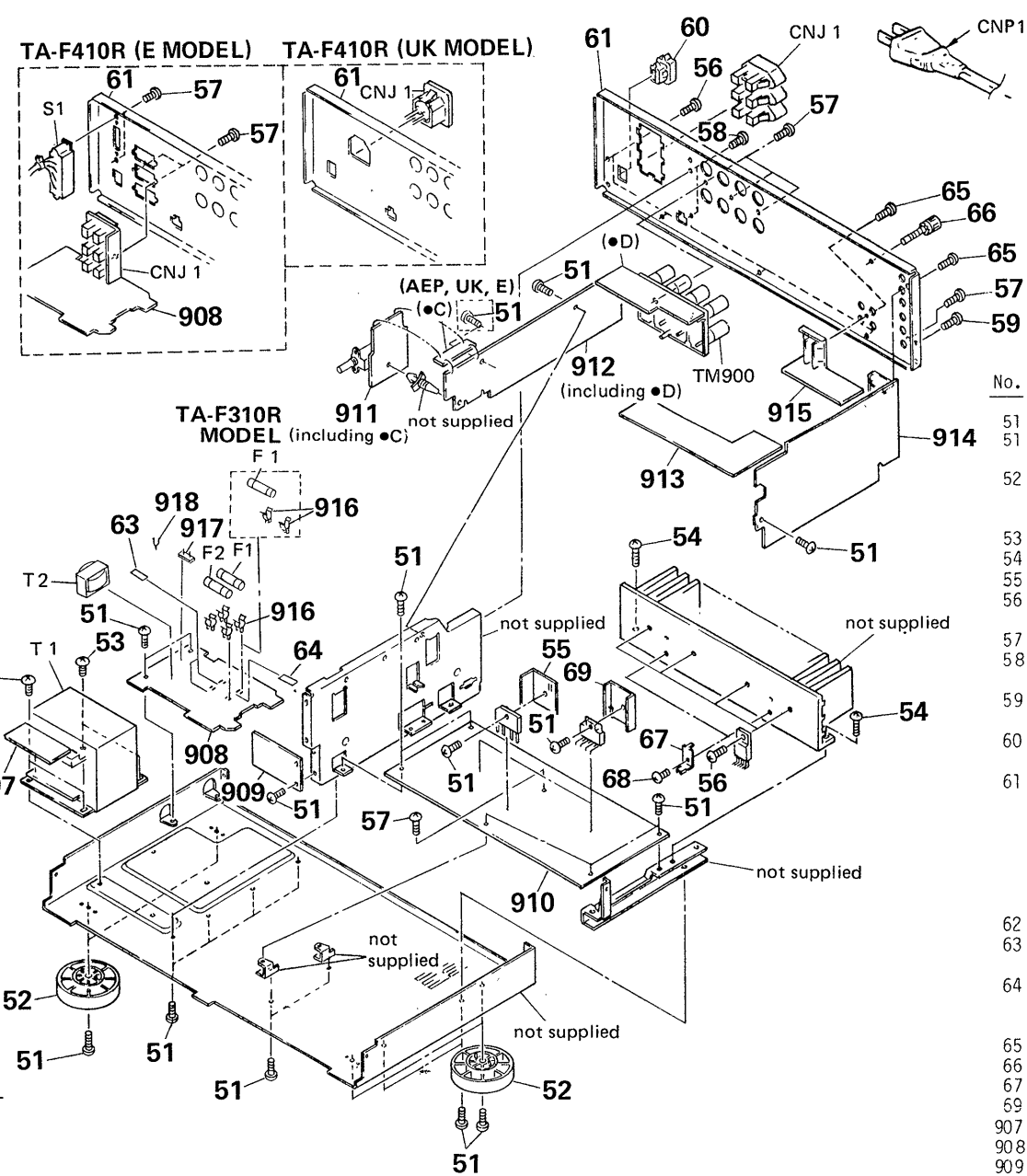
1. GENERAL (1)



No.	Part No.	Description	Remarks
1	3-703-685-21	SCREW (+BV 3X8)	
2	4-931-915-01	(F410R)...PANEL, FRONT	
	4-931-915-11	(F310R)...PANEL, FRONT	
3	X-4906-828-1	(F410R)...KNOB (47) ASSY	
	4-929-288-01	(F310R)...KNOB (VOL 47)	
4	7-685-534-19	SCREW +BTP 2.6X8 TYPE2 N-S	
5	4-916-746-11	KNOB (DIA. 21), ROUND	
6	X-4885-954-1	(F410R)...PANEL (BASE) ASSY	
	X-4885-955-1	(F310R)...PANEL (BASE) ASSY	
7	7-682-548-04	SCREW +BVTT 3X8 (S)	
8	4-931-902-01	NUT (M12X1)	
9	4-916-729-01	(F410R)...KNOB (DIA.29)	
10	4-928-635-01	SCREW, +BV (2.6X8) TAPPING	
11	*4-921-389-01	HOUSE	
12	4-908-875-01	KNOB, SQUARE	
13	7-685-646-79	SCREW +BVTP 3X8 TYPE2 N-S	
14	3-704-366-01	SCREW (CASE) (M3X8)	

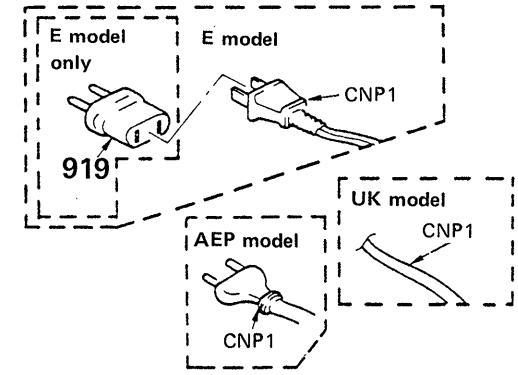
No.	Part No.	Description	Remarks
15	4-929-294-11	CASE	
16	4-864-307-00	RING	
17	4-929-284-01	PLATE, INDICATION	
18	4-908-848-01	EMBLEM, SONY	
901	*1-631-765-11	(F410R)...PC BOARD, LED	
	*1-631-777-11	(F310R)...PC BOARD, VOL LED (S)	
902	*1-631-759-11	PC BOARD, HP	
903	*1-631-764-11	PC BOARD, SIRCS	
904	*A-4333-568-A	(F410R:Canadian,AEP,UK,E)...MOUNTED PCB, CONT	
	*A-4333-569-A	(F310R)...MOUNTED PCB, CONT	
	*A-4333-841-A	(WG)...MOUNTED PCB, CONT	
905	*1-631-771-11	PC BOARD, SW	
906	*1-631-758-11	(F310R)...PC BOARD, SP PUSH	
	SW100-A 1-571-972-11	(F410R)...SWITCH, ROTARY	
	SW900 1-571-973-11	(F410R)...SWITCH, ROTARY (SPEAKER)	
	SW900 1-571-971-11	(F310R)...SWITCH, PUSH (2 KEY)(SPEAKER)	

2. GENERAL (2)



Remarks

No.	Part No.	Description	Remarks	No.	Part No.	Description	Remarks
51	3-703-685-21	SCREW (+BV 3X8)		911	*1-631-761-11	(F410R)...PC BOARD, SP ROTE	
51	7-682-548-04	SCREW +BVTT 3X8 (S)		912	*1-631-760-11	PC BOARD, SP TM	
52	X-3304-938-2	(AEP,WG,UK)...FOOT ASSY		913	*1-631-762-11	PC BOARD, JOINT	
	X-4885-950-1	(Canadian,E)...FOOT ASSY		914	*A-4333-558-A	(Canadian,AEP,UK,E)...MOUNTED PCB, FUNC	
53	7-682-560-04	SCREW +BVTT 4X6 (S)			*A-4333-559-A	(WG)...MOUNTED PCB, FUNC	
54	7-682-548-01	SCREW +B 3X8			*A-4333-560-A	(F310R)...MOUNTED PCB, FUNC	
55	*4-931-903-01	(F410R:AEP,WG)...HEAT SINK (D1)		915	*1-631-768-11	PC BOARD, TAPE2	
56	7-682-950-01	SCREW +PSW 3X12		916	*1-533-213-31	HOLDER, FUSE	
57	7-685-646-79	SCREW +BVTP 3X8 TYPE2 N-S		917	1-535-139-00	BASE POST	
58	7-682-547-09	SCREW +BVTT 3X6 (S)		918	1-535-771-11	TERMINAL	
59	7-685-646-19	SCREW +BVTP 3X8		CNJ1	*1-526-751-00	(UK)...OUTLET, AC (AC OUTLET)	
60	*3-703-244-00	(EXCEPT E)...BUSHING (2104), CORD		CNJ1	*1-526-794-11	(AEP,WG)...OUTLET, AC (AC OUTLET)	
61	*4-931-917-31	(WG)...PANEL, BACK		CNJ1	*1-540-042-11	(E)...OUTLET, AC (NONPOLAR)(3P)	
	*4-931-910-01	(F310R)...PANEL, BACK				(AC OUTLET)	
	*4-931-917-01	(Canadian)...PANEL, BACK		CNJ1	*1-540-061-11	(Canadian).OUTLET, AC (POLAR)(AC OUTLET)	
	*4-931-917-21	(F410R:AEP)...PANEL, BACK		CP1	▲.1-558-686-11	(Canadian)...CORD, POWER	
	*4-931-917-41	(WG)...PANEL, BACK		CP1	▲.1-551-188-XX	(E)...CORD, POWER	
	*4-931-917-51	(E)...PANEL, BACK		CP1	▲.1-555-750-00	(AEP,WG)...CORD, POWER	
				CP1	▲.1-556-035-00	(UK)...CORD, POWER	
62	3-703-571-00	(E)...BUSHING (4516), CORD		F1	▲.1-532-203-11	(E)...FUSE, TIME-LAG T2.0A	
63	3-701-948-17	(E)...LABEL (T2A), FUSE		F1	▲.1-532-285-11	(F310R)...FUSE, TIME-LAG T1.25A	
64	3-701-946-25	(Canadian)...LABEL (3.15A 125V), FUSE		F1	▲.1-532-286-11	(F410R:AEP,WG,UK)...FUSE, TIME-LAG T2.5A	
	3-701-947-12	(F310R)...LABEL (T1.2A), FUSE		F1	▲.1-532-745-11	(Canadian)...FUSE, GLASS TUBE TSC3.15A	
65	7-621-849-00	SCREW, TAPPING		F2	▲.1-532-203-11	(E)...FUSE, TIME-LAG T2.0A	
66	3-706-165-00	SCREW		F2	▲.1-532-286-11	(AEP,WG,UK)...FUSE, TIME-LAG T2.5A	
67	*4-929-285-01	BRACKET (TR)		SW900	1-571-973-11	(F410R)...SWITCH, ROTARY (SPEAKER)	
69	*4-928-442-11	(F310R)...HEAT SINK (S)		SW900	1-571-971-11	(F310R)...SWITCH, PUSH (2 KEY)(SPEAKER)	
907	*1-631-763-11	(Canadian,WG,UK,E)...PC BOARD, TRANS		T1	▲.1-449-743-11	(F310R)...TRANSFORMER, POWER	
908	*1-631-770-11	PC BOARD, FUSE		T1	▲.1-449-744-11	(F410R:AEP,WG)...TRANSFORMER, POWER	
909	1-631-767-11	PC BOARD, SEALED		T1	▲.1-449-745-11	(Canadian)...TRANSFORMER, POWER	
				T1	▲.1-449-746-11	(UK)...TRANSFORMER, POWER	
				T1	▲.1-449-747-11	(E)...TRANSFORMER, POWER	
910	*A-4333-541-A	(Canadian)...MOUNTED PCB, AMPLIFIER		T2	▲.1-449-296-11	(Canadian)...TRANSFORMER, POWER	
	*A-4333-542-A	(F410R:AEP)...MOUNTED PCB, AMPLIFIER		T2	▲.1-449-299-11	(E)...TRANSFORMER, POWER	
	*A-4333-543-A	(WG)...MOUNTED PCB, AMPLIFIER		T2	▲.1-449-297-11	(AEP,WG,UK)...TRANSFORMER, POWER	
	*A-4333-544-A	(UK)...MOUNTED PCB, AMPLIFIER		TM900	1-537-227-11	(AEP)...TERMINAL BOARD (SP)	
	*A-4333-545-A	(E)...MOUNTED PCB, AMPLIFIER		TM900	1-537-228-11	(Canadian,WG,UK,E)...TERMINAL BOARD (SP)	
	*A-4333-546-A	(F310R)...MOUNTED PCB, AMPLIFIER					



Note:
The components identified by mark or dotted line with mark are critical for safety. Replace only with part number specified.

Note:
Les composants identifiés par une marque sont critiques pour la sécurité. Ne les remplacer que par une pièce portant le numéro spécifié.

SECTION 6 ELECTRICAL PARTS LIST

NOTE:

- Due to standardization, replacements in the parts list may be different from the parts specified in the diagrams or the components used on the set.
- Items marked "★" are not stocked since they are seldom required for routine service. Some delay should be anticipated when ordering these items.
- If there are two or more same circuits in a set such as a stereophonic machine, only typical circuit parts may be indicated and capacitors and resistors in other same circuits may be omitted.

CAPACITORS:

MF: μF , PF: μF .

RESISTORS

- All resistors are in ohms.
- F: nonflammable

COILS

- MMH: mH, UH: μH

SEMICONDUCTORS

In each case, U: for example:

UA...: μA ..., UPA...: μPA ...,
UPC...: μPC , UPD...: μPD ...

- WG: West Germany model

The components identified by mark Δ or dotted line with mark Δ are critical for safety. Replace only with part number specified.

Les composants identifiés par une marque Δ sont critiques pour la sécurité. Ne les remplacer que par une pièce portant le numéro spécifié.

Ref.No.	Part No.	Description	Ref.No.	Part No.	Description
901	*1-631-765-11	(F410R)...PC BOARD, LED	C113	1-130-480-00	MYLAR 0.0056MF 5% 50V
	*1-631-777-11	(F310R)...PC BOARD, VOL LED	C114	1-130-473-00	MYLAR 0.0015MF 5% 50V
902	*1-631-759-11	PC BOARD, HP	C115	1-124-902-00	ELECT 0.47MF 20% 50V
903	*1-631-764-11	PC BOARD, SIRCS	C116	1-124-472-11	ELECT 470MF 20% 10V
904	*A-4333-568-A	(F410R:Canadian,AEP,UK,E) ...MOUNTED PCB, CONT	C117	1-136-157-00	(WG)...FILM 0.022MF 5% 50V
	*A-4333-569-A	(F310R)...MOUNTED PCB, CONT	C150	1-124-925-11	(F310R)...ELECT 2.2MF 20% 50V
	*A-4333-841-A	(WG)...MOUNTED PCB, CONT	C201	1-162-286-31	(WG)...CERAMIC 220PF 10% 50V
905	*1-631-771-11	PC BOARD, SW	C202	1-162-286-31	(WG)...CERAMIC 220PF 10% 50V
906	*1-631-758-11	(F310R)...PC BOARD, SP PUSH	C203	1-162-286-31	(WG)...CERAMIC 220PF 10% 50V
907	*1-631-763-11	(Canadian,WG,UK,E)...PC BOARD, TRANS	C204	1-162-286-31	(WG)...CERAMIC 220PF 10% 50V
908	*1-631-770-11	PC BOARD, FUSE	C205	1-162-286-31	(WG)...CERAMIC 220PF 10% 50V
909	1-631-767-11	PC BOARD, SEALED	C206	1-162-286-31	(WG)...CERAMIC 220PF 10% 50V
910	*A-4333-541-A	(Canadian)...MOUNTED PCB, AMPLIFIER	C207	1-162-286-31	(WG)...CERAMIC 220PF 10% 50V
	*A-4333-542-A	(F410R:AEP)...MOUNTED PCB, AMPLIFIER	C208	1-162-284-31	(WG)...CERAMIC 150PF 10% 50V
	*A-4333-543-A	(WG)...MOUNTED PCB, AMPLIFIER	C208	1-162-286-31	(Canadian,AEP,UK,E) ...CERAMIC 180PF 10% 50V
	*A-4333-544-A	(UK)...MOUNTED PCB, AMPLIFIER	C209	1-162-282-31	(WG)...CERAMIC 100PF 10% 50V
	*A-4333-545-A	(E)...MOUNTED PCB, AMPLIFIER	C210	1-123-875-11	ELECT 10MF 20% 50V
	*A-4333-546-A	(F310R)...MOUNTED PCB, AMPLIFIER	C211	1-124-477-11	ELECT 47MF 20% 16V
911	*1-631-761-11	(F410R)...PC BOARD, SP ROTE	C212	1-162-284-31	(WG)...CERAMIC 150PF 10% 50V
912	*1-631-760-11	PC BOARD, SP TM	C212	1-162-282-31	(Canadian,AEP,UK,E) ...CERAMIC 100PF 10% 50V
913	*1-631-762-11	PC BOARD, JOINT	C213	1-130-480-00	MYLAR 0.0056MF 5% 50V
914	*A-4333-558-A	(Canadian,AEP,UK,E)...MOUNTED PCB, FUNC	C214	1-130-473-00	MYLAR 0.0015MF 5% 50V
	*A-4333-559-A	(WG)...MOUNTED PCB, FUNC	C215	1-124-902-00	ELECT 0.47MF 20% 50V
	*A-4333-560-A	(F310R)...MOUNTED PCB, FUNC	C216	1-124-472-11	ELECT 470MF 20% 10V
915	*1-631-768-11	PC BOARD, TAPE2	C217	1-136-157-00	(WG)...FILM 0.022MF 5% 50V
916	*1-533-213-31	HOLDER, FUSE	C301	1-130-481-00	MYLAR 0.0068MF 10% 50V
917	*1-535-139-00	BASE POST 22MM (10MM PITCH) 2P	C302	1-130-021-00	MYLAR 0.0018MF 10% 50V
918	*1-535-771-11	TERMINAL	C303	1-136-159-00	FILM 0.033MF 5% 50V
919	Δ 1-526-565-00	(E)...AC PLUG ADAPTOR	C304	1-130-479-00	MYLAR 0.0047MF 10% 50V
C1	Δ 1-161-744-00	CERAMIC 0.01MF 400V	C401	1-130-481-00	MYLAR 0.0068MF 10% 50V
C101	1-162-286-31	(WG)...CERAMIC 220PF 10% 50V	C402	1-130-021-00	MYLAR 0.0018MF 10% 50V
C102	1-162-286-31	(WG)...CERAMIC 220PF 10% 50V	C403	1-136-159-00	FILM 0.033MF 5% 50V
C103	1-162-286-31	(WG)...CERAMIC 220PF 10% 50V	C404	1-130-479-00	MYLAR 0.0047MF 10% 50V
C104	1-162-286-31	(WG)...CERAMIC 220PF 10% 50V	C500	1-124-927-11	ELECT 4.7MF 20% 50V
C105	1-162-286-31	(WG)...CERAMIC 220PF 10% 50V	C501	1-124-927-11	ELECT 4.7MF 20% 50V
C106	1-162-286-31	(WG)...CERAMIC 220PF 10% 50V	C502	1-124-478-11	ELECT 100MF 20% 25V
C107	1-162-286-31	(WG)...CERAMIC 220PF 10% 50V	C503	1-101-804-00	CERAMIC 10PF 5% 500V
C108	1-162-284-31	(WG)...CERAMIC 150PF 10% 50V	C504	1-136-163-00	FILM 0.068MF 5% 50V
C108	1-162-286-31	(EXCEPT WG)...CERAMIC 180PF 10% 50V	C505	1-124-477-11	ELECT 47MF 20% 16V
C109	1-162-282-31	(WG)...CERAMIC 100PF 10% 50V	C506	1-136-163-00	FILM 0.068MF 5% 50V
C110	1-123-875-11	ELECT 10MF 20% 50V	C507	1-136-163-00	FILM 0.068MF 5% 50V
C111	1-124-477-11	ELECT 47MF 20% 16V	C509	1-136-153-00	(WG)...FILM 0.01MF 5% 50V
C112	1-162-284-31	(WG)...CERAMIC 150PF 10% 50V	C510	1-136-153-00	(WG)...FILM 0.01MF 5% 50V
C112	1-162-282-31	(EXCEPT WG)...CERAMIC 100PF 10% 50V	C511	1-136-157-00	(WG)...FILM 0.022MF 5% 50V

Ref.No.	Part No.	Description			
C600	1-124-927-11	ELECT	4.7MF	20%	50V
C601	1-124-927-11	ELECT	4.7MF	20%	50V
C602	1-124-478-11	ELECT	100MF	20%	25V
C603	1-101-804-00	CERAMIC	10PF	5%	500V
C604	1-136-163-00	FILM	0.068MF	5%	50V
C605	1-124-477-11	ELECT	47MF	20%	16V
C606	1-136-163-00	FILM	0.068MF	5%	50V
C607	1-136-163-00	FILM	0.068MF	5%	50V
C609	1-136-153-00	(WG)...FILM	0.01MF	5%	50V
C610	1-136-153-00	(WG)...FILM	0.01MF	5%	50V
C611	1-136-157-00	(WG)...FILM	0.022MF	5%	50V
C700	1-162-284-31	CERAMIC	150PF	10%	50V
C701	1-162-284-31	CERAMIC	150PF	10%	50V
C702	1-164-097-11	CERAMIC	0.022MF		50V
C703	1-161-494-00	CERAMIC	0.022MF	30%	25V
C704	1-130-471-00	MYLAR	0.001MF	5%	50V
C706	1-136-157-00	FILM	0.022MF	5%	50V
C707	1-124-473-11	ELECT	1000MF	20%	10V
C708	1-164-097-11	CERAMIC	0.022MF		50V
C709	1-124-446-11	ELECT	47MF	20%	10V
C711	1-161-379-00	CERAMIC	0.01MF	20%	16V
C712	1-161-379-00	CERAMIC	0.01MF	20%	16V
C713	1-161-379-00	CERAMIC	0.01MF	20%	16V
C714	1-136-164-00	FILM	0.082MF	5%	50V
C715	1-136-164-00	(WG)...FILM	0.082MF	5%	50V
C716	1-124-768-11	ELECT	4.7MF	20%	50V
C750	1-123-875-11	ELECT	10MF	20%	50V
C751	1-123-875-11	ELECT	10MF	20%	50V
C752	1-136-159-00	FILM	0.033MF	5%	50V
C753	1-136-159-00	FILM	0.033MF	5%	50V
C754	1-136-159-00	FILM	0.033MF	5%	50V
C800	1-123-875-11	ELECT	10MF	20%	50V
C801	1-124-925-11	ELECT	2.2MF	20%	50V
C802	1-126-176-11	ELECT	220MF	20%	6.3V
C803	1-123-875-11	ELECT	10MF	20%	50V
C804	1-126-101-11	ELECT	100MF	20%	16V
C900	1-125-474-11	(E).....ELECT	8200MF	20%	56V
C900	1-125-536-11	(F410R:AEP,WG) ...ELECT	10000MF	20%	50V
C900	1-125-574-11	(Canadian,UK) ...ELECT	8200MF	20%	56V
C900	1-126-256-11	(F310R)...ELECT	4700MF	20%	35V
C901	1-125-474-11	(E).....ELECT	8200MF	20%	56V
C901	1-125-536-11	(F410R:AEP,WG) ...ELECT	10000MF	20%	50V
C901	1-125-574-11	(Canadian,UK) ...ELECT	8200MF	20%	56V
C901	1-126-256-11	(F310R)...ELECT	4700MF	20%	35V
C902	1-124-637-11	(F410R:AEP,WG) ...ELECT	1000MF	20%	50V
C902	1-124-921-11	(Canadian,UK,E) ...ELECT	470MF	20%	63V
C902	1-126-104-11	(F310R)...ELECT	470MF	20%	35V
C903	1-124-921-11	(Canadian,UK,E) ...ELECT	470MF	20%	63V
C903	1-124-637-11	(F410R:AEP,WG) ...ELECT	1000MF	20%	50V
C903	1-126-104-11	(F310R)...ELECT	470MF	20%	35V
C904	1-124-916-11	(Canadian,UK,E) ...ELECT	22MF	20%	63V
C904	1-126-233-11	(AEP,WG)...ELECT	22MF	20%	50V

Ref.No.	Part No.	Description			
C905	1-124-916-11	(Canadian,UK,E) ...ELECT	22MF	20%	63V
C905	1-126-233-11	(AEP,WG)...ELECT	22MF	20%	50V
C906	1-124-914-11	(Canadian,UK,E) ...ELECT	4.7MF	20%	63V
C906	1-126-233-11	(AEP,UK)...ELECT	22MF	20%	50V
C907	1-124-914-11	(Canadian,UK,E) ...ELECT	4.7MF	20%	63V
C907	1-126-233-11	(AEP,WG)...ELECT	22MF	20%	50V
C908	1-102-394-11	CERAMIC	0.01MF		250V
C909	1-102-394-11	CERAMIC	0.01MF		250V
C910	1-124-557-11	ELECT	1000MF	20%	25V
C911	1-124-557-11	ELECT	1000MF	20%	25V
C912	1-126-103-11	ELECT	470MF	20%	16V
C913	1-126-103-11	ELECT	470MF	20%	16V
C914	1-136-153-00	FILM	0.01MF	5%	50V
C915	1-124-480-11	ELECT	470MF	20%	25V
C916	1-123-875-11	ELECT	10MF	20%	50V
C917	1-124-927-11	(E)....ELECT	4.7MF	20%	50V
C920	1-136-157-00	(WG)...FILM	0.022MF	5%	50V
C950	1-124-499-11	ELECT	1MF	20%	50V
C951	1-136-175-00	(WG)...FILM	0.68MF	5%	50V
CNJ1	*1-526-751-11	(UK).....OUTLET, AC			(AC OUTLET)
CNJ1	*1-526-794-11	(AEP,WG)...OUTLET, AC			(AC OUTLET)
CNJ1	*1-540-042-11	(E).....OUTLET, AC			(NONPOLAR)(3P) (AC OUTLET)
CNJ1	*1-540-061-11	(Canadian)...OUTLET, AC			(POLAR) (AC OUTLET)
CNJ500	*1-564-338-00	PIN, CONNECTOR			4P
CNJ700	*1-561-651-00	SOCKET, CONNECTOR			7P
CNJ701	1-562-087-00	SOCKET, CONNECTOR			4P
CNJ702	*1-568-648-11	SOCKET, CONNECTOR			15P
CNJ703	1-568-646-11	SOCKET, CONNECTOR			(PC BOARD)15P
CNJ710	1-566-213-11	PIN, CONNECTOR			4P (CONTROL S OUT)
CNJ900	*1-568-649-11	(F310R)...SOCKET, CONNECTOR			10P
CNP500	*1-564-505-11	PLUG, CONNECTOR			2P
CNP600	*1-564-505-11	PLUG, CONNECTOR			2P
CNP700	*1-565-366-11	PIN, CONNECTOR			(PC BOARD) 7P
CNP701	1-568-739-11	PIN, CONNECTOR			(PC BOARD) 4P
CNP702	*1-568-647-11	PIN, CONNECTOR			15P
CNP703	1-568-645-11	PIN, CONNECTOR			(PC BOARD) 15P
CNP704	*1-564-505-11	PLUG, CONNECTOR			2P
CNP710	*1-564-339-00	PIN, CONNECTOR			5P
CNP750	*1-564-505-11	PLUG, CONNECTOR			2P
CNP900	*1-508-693-00	(F310R)...CONNECTOR			PIN 5P
CP1	△. 1-558-686-11	(Canadian)...CORD, POWER			
CP1	△. 1-551-188-XX	(E).....CORD, POWER			
CP1	△. 1-555-750-00	(AEP,WG)....CORD, POWER			
CP1	△. 1-556-035-00	(UK).....CORD, POWER			
D501	8-719-815-85	DIODE			1S1585
D502	8-719-815-85	DIODE			1S1585
D601	8-719-815-85	DIODE			1S1585
D602	8-719-815-85	DIODE			1S1585
D700	8-719-914-12	DIODE			HZ4BLL
D701	8-719-000-26	DIODE			US1060M
D702	8-719-200-77	DIODE			10E2N
D703	8-719-200-77	DIODE			10E2N
D704	8-719-303-00	DIODE			SEL2510C (VOLUME)
D705	8-719-000-26	DIODE			US1060M

<p>Note: The components identified by mark △ or dotted line with mark △ are critical for safety. Replace only with part number specified.</p>	<p>Note: Les composants identifiés par une marque △ sont critiques pour la sécurité. Ne les remplacer que par une pièce portant le numéro spécifié.</p>
--	---

Ref.No.	Part No.	Description
D706	8-719-000-26	DIODE US1060M
D707	8-719-000-26	DIODE US1060M
D708	8-719-000-26	DIODE US1060M
D709	8-719-000-26	DIODE US1060M
D710	8-719-000-26	DIODE US1060M
D711	8-719-000-26	DIODE US1060M
D712	8-719-000-26	DIODE US1060M
D713	8-719-000-26	DIODE US1060M
D714	8-719-000-26	DIODE US1060M
D715	8-719-312-31	DIODE SEL1515C-CD (TAPE 2/DAT)
D716	8-719-312-31	DIODE SEL1515C-CD (TAPE)
D717	8-719-312-31	DIODE SEL1515C-CD (VIDEO/AUX)
D718	8-719-312-31	DIODE SEL1515C-CD (CD)
D719	8-719-312-31	DIODE SEL1515C-CD (TUNER)
D720	8-719-312-31	DIODE SEL1515C-CD (PHONO)
D721	8-719-933-33	DIODE HZS6A1L
D722	8-719-304-14	DIODE SEL2510W (SOURCE DIRECT)
D723	8-719-304-14	DIODE SEL2510W (SOURCE DIRECT)
D724	8-719-301-38	DIODE SEL2210S (STAND BY)
D725	8-719-000-26	DIODE US1060M
D750	8-719-000-26	DIODE US1060M
D751	8-719-000-26	(F410R)...DIODE US1060M
D752	8-719-000-26	(F410R)...DIODE US1060M
D753	8-719-000-26	(F410R)...DIODE US1060M
D754	8-719-000-26	(F410R)...DIODE US1060M
D755	8-719-000-26	(F410R)...DIODE US1060M
D756	8-719-000-26	DIODE US1060M
D757	8-719-200-77	DIODE 10E2N
D758	8-719-000-26	DIODE US1060M
D800	8-719-200-77	DIODE 10E2N
D801	8-719-000-26	DIODE US1060M
D802	8-719-000-26	DIODE US1060M
D900	8-719-302-38	(F410R)...DIODE RBV-602-01
D900	8-719-312-09	(F310R)...DIODE RBA-402
D901	8-719-200-77	DIODE 10E2N
D902	8-719-200-77	DIODE 10E2N
D903	8-719-200-77	DIODE 10E2N
D904	8-719-200-77	DIODE 10E2N
D905	8-719-200-77	DIODE 10E2N
D906	8-719-200-77	DIODE 10E2N
D907	8-719-200-77	DIODE 10E2N
D908	8-719-200-77	DIODE 10E2N
D909	8-719-511-40	DIODE S1VB40
D913	8-719-000-26	DIODE US1060M
D914	8-719-000-26	DIODE US1060M
F1	△ .1-532-203-11	(E).....FUSE, TIME-LAG T2.0A
F1	△ .1-532-286-11	(F310R)....FUSE, TIME-LAG T1.25A
F1	△ .1-532-286-11	(F410R:AEP,WG,UK) ...FUSE, TIME-LAG T2.5A
F1	△ .1-532-745-11	(Canadian)...FUSE, GLASS TUBE TSC3.15A
F2	△ .1-532-203-11	(E).....FUSE, TIME-LAG T2.0A
F2	△ .1-532-286-11	(AEP,WG,UK)...FUSE, TIME-LAG T2.5A
IC101	8-759-600-02	IC M521&L
IC102	8-759-800-37	(F310R)...IC LC4066BH
IC501	8-759-109-06	IC UPC1298V

Ref.No.	Part No.	Description
IC601	8-759-109-06	IC UPC1298V
IC700	8-759-632-61	IC M50761-25&P
IC701	8-759-802-52	IC LC7818
IC702	8-749-920-83	IC GP1U52XB
IC800	8-759-111-68	IC UPC1237HA
IC900	8-759-604-29	IC M5F7805
IC901	8-759-982-10	IC RC7809FA
IC902	8-759-604-49	IC M5F7909
IC950	8-759-604-33	(E)...IC M5F7812
J100	1-565-320-11	JACK, PIN 6P (PHONO,TUNER,CD)
J101	1-565-320-11	JACK, PIN 6P (VIDEO/AUX,TAPE 1)
J102	1-568-529-21	JACK, PIN 4P (TAPE 2/DAT)
J900	1-507-863-51	JACK, LARGE TYPE
L500	*1-420-872-00	COIL, AIR CORE 1.8UH
L600	*1-420-872-00	COIL, AIR CORE 1.8UH
Q101	8-729-900-63	(F310R)...TRANSISTOR DTA124ES
Q102	8-729-806-34	(F310R)...TRANSISTOR 2SC3400
Q500	8-729-107-98	TRANSISTOR 2SC3622AL
Q501	8-729-119-78	TRANSISTOR 2SC2785HFE
Q502	8-729-321-55	TRANSISTOR 2SC4386-OPY-LF
Q503	8-729-321-56	TRANSISTOR 2SA1671-OPY-LF
Q504	8-729-108-05	TRANSISTOR 2SC1841PA
Q600	8-729-107-98	TRANSISTOR 2SC3622AL
Q601	8-729-119-78	TRANSISTOR 2SC2785HFE
Q602	8-729-321-55	TRANSISTOR 2SC4386-OPY-LF
Q603	8-729-321-56	TRANSISTOR 2SA1671-OPY-LF
Q604	8-729-108-05	TRANSISTOR 2SC1841PA
Q700	8-729-119-78	TRANSISTOR 2SC2785HFE
Q701	8-729-119-78	TRANSISTOR 2SC2785HFE
Q702	8-729-119-78	TRANSISTOR 2SC2785HFE
Q703	8-729-119-78	TRANSISTOR 2SC2785HFE
Q704	8-729-900-63	TRANSISTOR DTA124ES
Q705	8-729-119-78	TRANSISTOR 2SC2785HFE
Q706	8-729-119-78	TRANSISTOR 2SC2785HFE
Q707	8-729-900-63	TRANSISTOR DTA124ES
Q708	8-729-900-63	TRANSISTOR DTA124ES
Q709	8-729-900-63	TRANSISTOR DTA124ES
Q710	8-729-900-63	(F410R)...TRANSISTOR DTA124ES
Q711	8-729-900-63	(F410R)...TRANSISTOR DTA124ES
Q712	8-729-900-63	TRANSISTOR DTA124ES
Q713	8-729-900-63	TRANSISTOR DTA124ES
Q714	8-729-806-34	TRANSISTOR 2SC3400
Q715	8-729-111-29	TRANSISTOR 2SD1388
Q716	8-729-802-22	TRANSISTOR 2SB1014
Q717	8-729-119-76	TRANSISTOR 2SA1175HFE
Q750	8-729-900-63	TRANSISTOR DTA124ES
Q751	8-729-900-63	TRANSISTOR DTA124ES
Q800	8-729-900-63	TRANSISTOR DTA124ES
Q900	8-729-808-76	TRANSISTOR 2SD1761E
Q901	8-729-920-91	TRANSISTOR 2SB1187F
R101	1-249-409-11	(WG)...CARBON 220 5% 1/4W
R102	1-249-417-11	CARBON 1K 5% 1/4W
R103	1-249-409-11	(WG)...CARBON 220 5% 1/4W
R104	1-249-417-11	CARBON 1K 5% 1/4W
R105	1-249-409-11	(WG)...CARBON 220 5% 1/4W
R106	1-249-409-11	(WG)...CARBON 220 5% 1/4W

Note:
The components identified by mark △ or dotted line with mark △ are critical for safety. Replace only with part number specified.

Note:
Les composants identifiés par une marque △ sont critiques pour la sécurité. Ne les remplacer que par une pièce portant le numéro spécifié.

Ref.No.	Part No.	Description
R107	1-249-409-11	(WG)...CARBON 220 5% 1/4W
R108	1-249-418-11	CARBON 1.2K 5% 1/4W
R109	1-249-441-11	CARBON 100K 5% 1/4W
R110	1-249-418-11	(WG)...CARBON 1.2K 5% 1/4W
R111	1-249-441-11	CARBON 100K 5% 1/4W
R112	1-249-416-11	CARBON 820 5% 1/4W
R113	1-247-897-11	CARBON 560K 5% 1/4W
R114	1-249-437-11	CARBON 47K 5% 1/4W
R115	1-249-441-11	CARBON 100K 5% 1/4W
R116	1-249-409-11	CARBON 220 5% 1/4W
R117	1-249-405-11	CARBON 100 5% 1/4W
R118	1-249-405-11	CARBON 100 5% 1/4W
R119	1-249-405-11	(F310R)...CARBON 22K 5% 1/4W
R120	1-249-405-11	(F310R)...CARBON 22K 5% 1/4W
R150	1-249-441-11	(F310R)...CARBON 100K 5% 1/4W
R201	1-249-409-11	(WG)...CARBON 220 5% 1/4W
R202	1-249-417-11	CARBON 1K 5% 1/4W
R203	1-249-409-11	(WG)...CARBON 220 5% 1/4W
R204	1-249-417-11	CARBON 1K 5% 1/4W
R205	1-249-409-11	(WG)...CARBON 220 5% 1/4W
R206	1-249-409-11	(WG)...CARBON 220 5% 1/4W
R207	1-249-409-11	(WG)...CARBON 220 5% 1/4W
R208	1-249-418-11	CARBON 1.2K 5% 1/4W
R209	1-249-441-11	CARBON 100K 5% 1/4W
R210	1-249-418-11	(WG)...CARBON 1.2K 5% 1/4W
R211	1-249-441-11	CARBON 100K 5% 1/4W
R212	1-249-416-11	CARBON 820 5% 1/4W
R213	1-247-897-11	CARBON 560K 5% 1/4W
R214	1-249-437-11	CARBON 47K 5% 1/4W
R215	1-249-441-11	CARBON 100K 5% 1/4W
R216	1-249-409-11	CARBON 220 5% 1/4W
R217	1-249-405-11	CARBON 100 5% 1/4W
R218	1-249-405-11	CARBON 100 5% 1/4W
R301	1-247-903-00	CARBON 1M 5% 1/4W
R302	1-249-421-11	CARBON 2.2K 5% 1/4W
R303	1-249-426-11	CARBON 5.6K 5% 1/4W
R304	1-247-903-00	CARBON 1M 5% 1/4W
R305	1-247-852-11	CARBON 7.5K 5% 1/4W
R306	1-247-870-11	CARBON 43K 5% 1/4W
R307	1-249-436-11	CARBON 39K 5% 1/4W
R308	1-249-437-11	CARBON 47K 5% 1/4W
R401	1-247-903-00	CARBON 1M 5% 1/4W
R402	1-249-421-11	CARBON 2.2K 5% 1/4W
R403	1-249-426-11	CARBON 5.6K 5% 1/4W
R404	1-247-903-00	CARBON 1M 5% 1/4W
R405	1-247-852-11	CARBON 7.5K 5% 1/4W
R406	1-247-870-11	CARBON 43K 5% 1/4W
R407	1-249-436-11	CARBON 39K 5% 1/4W
R408	1-249-437-11	CARBON 47K 5% 1/4W
R500	1-249-417-11	CARBON 1K 5% 1/4W
R501	1-249-417-11	CARBON 1K 5% 1/4W
R502	1-249-423-11	CARBON 3.3K 5% 1/4W
R503	1-249-441-11	CARBON 100K 5% 1/4W
R504	1-247-711-11	(UK,E).....CARBON 680 5% 1/4W
R504	1-249-415-11	(Canadian)...CARBON 680 5% 1/4W F
R504	1-249-416-11	(F410R:AEP,WG)...CARBON 820 5% 1/4W
R504	1-249-418-11	(F310R).....CARBON 1.2K 5% 1/4W

Ref.No.	Part No.	Description
R505	1-249-441-11	CARBON 100K 5% 1/4W
R506	1-249-431-11	CARBON 15K 5% 1/4W
R507	1-249-419-11	CARBON 1.5K 5% 1/4W
R508	1-249-423-11	CARBON 3.3K 5% 1/4W
R509	1-247-688-11	CARBON 10 5% 1/4W F
R510	1-247-688-11	CARBON 10 5% 1/4W F
R511	1-216-361-00	METAL OXIDE 0.22 5% 2W F
R512	1-216-361-00	METAL OXIDE 0.22 5% 2W F
R513	1-247-871-11	(Canadian,UK,E) ...CARBON 47K 5% 1/4W
R513	1-249-423-11	(F310R)...CARBON 3.3K 5% 1/4W
R513	1-249-430-11	(F410R:AEP,WG) ...CARBON 12K 5% 1/4W
R514	1-247-727-11	CARBON 10 5% 1/2W
R515	1-249-437-11	CARBON 47K 5% 1/4W
R516	1-247-727-11	CARBON 10 5% 1/2W
R517	1-247-727-11	(WG)...CARBON 10 5% 1/2W
R518	1-247-727-11	(WG)...CARBON 10 5% 1/2W
R519	1-247-704-11	CARBON 220 5% 1/4W F
R520	1-215-867-11	(Canadian,UK,E) ...METAL OXIDE 470 5% 1W F
R520	1-216-430-11	(AEP,WG)...METAL OXIDE 390 5% 1W F
R521	1-216-361-00	(F410R)....METAL OXIDE 0.22 5% 2W F
R522	1-216-361-00	(F410R)....METAL OXIDE 0.22 5% 2W F
R523	1-249-423-11	CARBON 3.3K 5% 1/4W
R600	1-249-417-11	CARBON 1K 5% 1/4W
R601	1-249-417-11	CARBON 1K 5% 1/4W
R602	1-249-423-11	CARBON 3.3K 5% 1/4W
R603	1-249-441-11	CARBON 100K 5% 1/4W
R604	1-247-711-11	(UK,E).....CARBON 680 5% 1/4W
R604	1-249-416-11	(F410R:AEP,UK)...CARBON 820 5% 1/4W
R604	1-249-418-11	(F310R).....CARBON 1.2K 5% 1/4W
R604	1-249-415-11	(Canadian)...CARBON 680 5% 1/4W F
R605	1-249-441-11	CARBON 100K 5% 1/4W
R606	1-249-431-11	CARBON 15K 5% 1/4W
R607	1-249-419-11	CARBON 1.5K 5% 1/4W
R608	1-249-423-11	CARBON 3.3K 5% 1/4W
R609	1-247-688-11	CARBON 10 5% 1/4W F
R610	1-247-688-11	CARBON 10 5% 1/4W F
R611	1-216-361-00	METAL OXIDE 0.22 5% 2W F
R612	1-216-361-00	METAL OXIDE 0.22 5% 2W F
R613	1-249-430-11	(F410R:AEP,WG) ...CARBON 12K 5% 1/4W
R613	1-247-871-11	(Canadian,UK,E) ...CARBON 47K 5% 1/4W
R613	1-249-423-11	(F310R)...CARBON 3.3K 5% 1/4W
R614	1-247-727-11	CARBON 10 5% 1/2W
R615	1-249-438-11	CARBON 56K 5% 1/4W
R616	1-247-727-11	CARBON 10 5% 1/2W
R617	1-247-727-11	(WG)...CARBON 10 5% 1/2W
R618	1-247-727-11	(WG)...CARBON 10 5% 1/2W
R619	1-247-704-11	CARBON 220 5% 1/4W F
R620	1-215-867-11	(Canadian,UK,E) ...METAL OXIDE 470 5% 1W F
R620	1-216-430-11	(AEP,WG)...METAL OXIDE 390 5% 1W F
R621	1-216-361-00	(F410R)...METAL OXIDE 0.22 5% 2W F
R622	1-216-361-00	(F410R)...METAL OXIDE 0.22 5% 2W F
R623	1-249-423-11	CARBON 3.3K 5% 1/4W
R700	1-249-423-11	CARBON 3.3K 5% 1/4W
R701	1-247-903-00	CARBON 1M 5% 1/4W
R702	1-249-417-11	CARBON 1K 5% 1/4W

<p>Note: The components identified by mark ▲ or dotted line with mark ▲ are critical for safety. Replace only with part number specified.</p>	<p>Note: Les composants identifiés par une marque ▲ sont critiques pour la sécurité. Ne les remplacer que par une pièce portant le numéro spécifié.</p>
--	---

Ref.No.	Part No.	Description				
R703	1-249-441-11	CARBON	100K	5%	1/4W	
R704	1-249-433-11	CARBON	22K	5%	1/4W	
R705	1-249-429-11	CARBON	10K	5%	1/4W	
R706	1-249-441-11	CARBON	100K	5%	1/4W	
R707	1-249-433-11	CARBON	22K	5%	1/4W	
R708	1-249-417-11	CARBON	1K	5%	1/4W	
R709	1-249-393-11	CARBON	10	5%	1/4W	
R710	1-249-429-11	CARBON	10K	5%	1/4W	
R711	1-249-417-11	CARBON	1K	5%	1/4W	
R712	1-249-429-11	CARBON	10K	5%	1/4W	
R713	1-249-429-11	CARBON	10K	5%	1/4W	
R714	1-249-433-11	CARBON	22K	5%	1/4W	
R715	1-249-433-11	CARBON	22K	5%	1/4W	
R716	1-249-433-11	CARBON	22K	5%	1/4W	
R717	1-249-433-11	CARBON	22K	5%	1/4W	
R718	1-249-433-11	CARBON	22K	5%	1/4W	
R719	1-249-433-11	CARBON	22K	5%	1/4W	
R720	1-249-433-11	CARBON	22K	5%	1/4W	
R721	1-249-433-11	CARBON	22K	5%	1/4W	
R722	1-249-411-11	CARBON	330	5%	1/4W	
R723	1-249-411-11	CARBON	330	5%	1/4W	
R724	1-249-411-11	CARBON	330	5%	1/4W	
R725	1-249-411-11	CARBON	330	5%	1/4W	
R726	1-249-411-11	CARBON	330	5%	1/4W	
R727	1-249-411-11	CARBON	330	5%	1/4W	
R728	1-249-429-11	CARBON	10K	5%	1/4W	
R729	1-249-429-11	CARBON	10K	5%	1/4W	
R731	1-247-901-11	CARBON	820K	5%	1/4W	
R732	1-249-433-11	CARBON	22K	5%	1/4W	
R733	1-249-433-11	CARBON	22K	5%	1/4W	
R734	1-249-441-11	CARBON	100K	5%	1/4W	
R735	1-249-410-11	CARBON	270	5%	1/4W	
R736	1-249-416-11	CARBON	820	5%	1/4W	
R737	1-249-419-11	CARBON	1.5K	5%	1/4W	
R739	1-249-423-11	CARBON	3.3K	5%	1/4W	
R740	1-249-441-11	CARBON	100K	5%	1/4W	
R742	1-249-423-11	CARBON	3.3K	5%	1/4W	
R743	1-249-409-11	CARBON	220	5%	1/4W	
R744	1-249-412-11	CARBON	390	5%	1/4W	
R745	△.1-249-394-11	CARBON	12	5%	1/4W	F
R746	△.1-249-394-11	CARBON	12	5%	1/4W	F
R747	1-249-433-11	(F410R)...CARBON	22K	5%	1/4W	
R750	1-249-433-11	CARBON	22K	5%	1/4W	
R800	1-249-439-11	CARBON	68K	5%	1/4W	
R801	1-249-430-11	(F410R:AEP,WG) ...CARBON	12K	5%	1/4W	
R801	1-247-861-11	(Canadian,UK,E) ...CARBON	18K	5%	1/4W	
R801	1-249-429-11	(F310R)...CARBON	10K	5%	1/4W	
R802	1-249-441-11	CARBON	100K	5%	1/4W	
R803	1-249-440-11	CARBON	82K	5%	1/4W	
R805	△.1-215-890-11	(F410R:AEP,WG) ...METAL OXIDE	470	5%	2W	F
R805	△.1-215-891-11	(Canadian,UK,E) ...METAL OXIDE	680	5%	2W	F
R805	△.1-216-428-11	(F310R)...METAL OXIDE	180	5%	1W	F

Ref.No.	Part No.	Description				
R806	1-247-861-11	(F310R)...CARBON	6.8K	5%	1/4W	
R806	1-249-429-11	(F410R:AEP,WG) ...CARBON	10K	5%	1/4W	
R806	1-249-430-11	(Canadian,UK,E) ...CARBON	12K	5%	1/4W	
R900	△.1-249-455-11	CARBON	4.7	5%	1/4W	F
R901	△.1-249-455-11	CARBON	4.7	5%	1/4W	F
R902	△.1-212-942-00	(F310R)...FUSIBLE	2.2	5%	1/2W	F
R902	△.1-217-473-00	(F410R)...FUSIBLE	2.2	5%	1W	F
R903	△.1-212-942-00	(F310R)...FUSIBLE	2.2	5%	1/2W	F
R903	△.1-217-473-00	(F410R)...FUSIBLE	2.2	5%	1W	F
R904	1-249-417-11	CARBON	1K	5%	1/4W	
R905	1-249-417-11	CARBON	1K	5%	1/4W	
R906	1-246-447-11	(UK).....CARBON	82	5%	1/4W	
R906	1-247-688-11	(Canadian)...CARBON	10	5%	1/4W	
R906	1-247-698-11	(AEP,WG).....CARBON	68	5%	1/4W	
R951	1-247-733-11	(WG).....CARBON	33	5%	1/2W	
RV300	1-238-638-11	RES, VAR, CARBON	150K/150K		(BALANCE)	
RV301	1-238-639-11	RES, VAR	250K/250K		(TREBLE)	
RV302	1-238-640-11	RES, VAR, CARBON	520K/520K		(BASS)	
RV303	1-238-628-11	RES, VAR, CARBON	(MOTOR)120KX2		(VOLUME)	
RV500	1-237-455-11	RES, ADJ, CARBON	500			
RV600	1-237-455-11	RES, ADJ, CARBON	500			
RY1	1-515-516-00	(AEP,WG,UK)...RELAY				
RY1	1-515-617-11	(E).....RELAY				
RY1	1-515-701-11	(Canadian)...RELAY				
RY800	1-515-501-00	(F410R)...RELAY				
RY800	1-515-533-11	(F310R)...RELAY				
S1	1-571-515-11	(E)...SWITCH, POWER VOLTAGE SELECTION (VOLTAGE SELECTOR)				
SW100-A	1-571-972-11	(F410R)...SWITCH, ROTARY				
SW100-B	1-571-115-11	(F410R)...SWITCH, SLIDE (REC OUT SELECTOR)				
SW301	1-571-828-11	SWITCH, PUSH (1 KEY)(SOURCE DIRECT)				
SW700	1-554-303-21	SWITCH, KEY BOARD (PHONO)				
SW701	1-554-303-21	SWITCH, KEY BOARD (TUNER)				
SW702	1-554-303-21	SWITCH, KEY BOARD (CD)				
SW703	1-554-303-21	SWITCH, KEY BOARD (VIDEO/AUX)				
SW704	1-554-303-21	SWITCH, KEY BOARD (TAPE 1)				
SW705	1-554-303-21	SWITCH, KEY BOARD (TAPE 2/DAT)				
SW706	1-554-303-21	SWITCH, KEY BOARD (SYSTEM POWER)				
SW900	1-571-973-11	(F410R)...SWITCH, ROTARY (SPEAKER)				
SW900	1-571-971-11	(F310R)...SWITCH, PUSH (2 KEY)(SPEAKER)				
T1	△.1-449-743-11	(F310R).....TRANSFORMER, POWER				
T1	△.1-449-744-11	(F410R:AEP,WG)...TRANSFORMER, POWER				
T1	△.1-449-745-11	(Canadian).....TRANSFORMER, POWER				
T1	△.1-449-746-11	(UK).....TRANSFORMER, POWER				
T1	△.1-449-747-11	(E).....TRANSFORMER, POWER				
T2	△.1-449-296-11	(Canadian)....TRANSFORMER, POWER				
T2	△.1-449-297-11	(AEP,WG,UK)...TRANSFORMER, POWER				
T2	△.1-449-299-11	(E).....TRANSFORMER, POWER				

Note:
The components identified by mark **△** or dotted line with mark **△** are critical for safety. Replace only with part number specified.

Note:
Les composants identifiés par une marque **△** sont critiques pour la sécurité. Ne les remplacer que par une pièce portant le numéro spécifié.

<u>Ref.No.</u>	<u>Part No.</u>	<u>Description</u>
TM900	1-537-227-11	(AEP).....TERMINAL BOARD (SP)
TM900	1-537-228-11	(Canadian,WG,UK,E)..TERMINAL BOARD (SP)
TP500	*1-535-115-00	TERMINAL
TP600	*1-535-115-00	TERMINAL
X700	1-577-077-11	OSCILLATOR, CERAMIC 400K

ACCESSORY & PACKING MATERIAL

1-465-199-11	REMOTE COMMANDER (RM-S310)
2-128-529-01	COVER BATTERY
△.1-526-565-00	(E)...AC PLUG ADAPTOR
3-750-604-11	(AEP,UK,E)...MANUAL, INSTRUCTION
3-750-604-41	(AEP,WG).....MANUAL, INSTRUCTION
*4-929-260-01	CUSHION
*4-931-908-01	(F310R).....INDIVIDUAL CARTON
*4-931-909-01	(F410R:AEP,WG,UK,E)...INDIVIDUAL CARTON

Note:

The components identified by mark △ or dotted line with mark △ are critical for safety. Replace only with part number specified.

Note:

Les composants identifiés par une marque △ sont critiques pour la sécurité. Ne les remplacer que par une pièce portant le numéro spécifié.